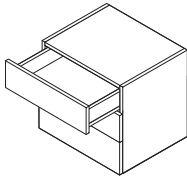




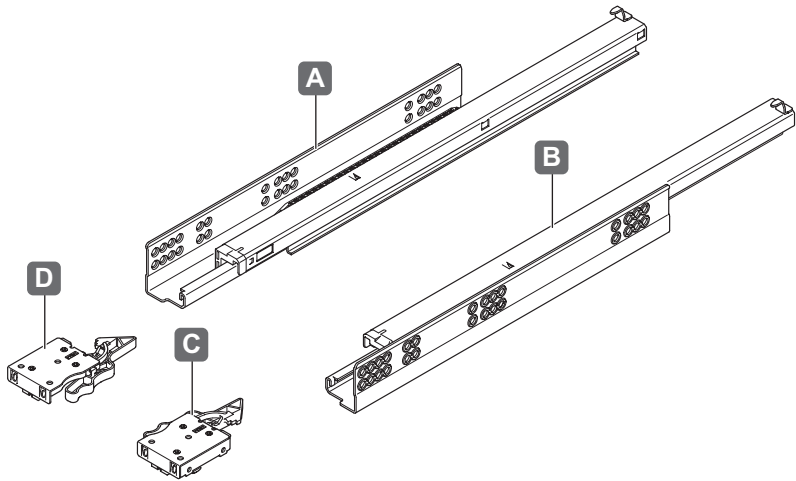
Matrix Runner UM A 30

433.03.13x
433.04.10x

433.03.18x



732.24.528



+

HCSPA

Ø3.5x16

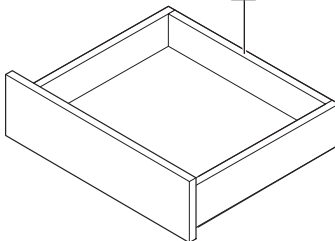
4-10x

VARIANTA

Ø3.5x16

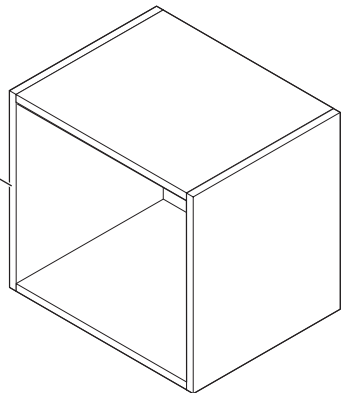
4-10x

E



F

G



HDE 09.10.2023

i



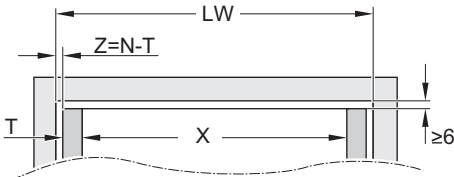
Ø 21x15
Ø 30x15



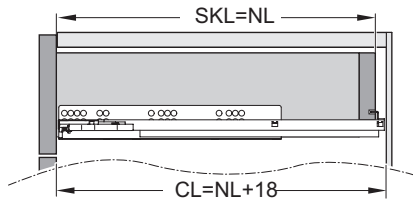
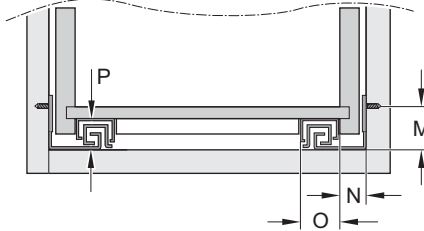
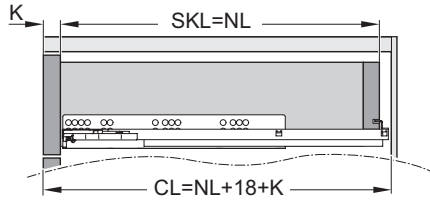
Ø 6



„mm“

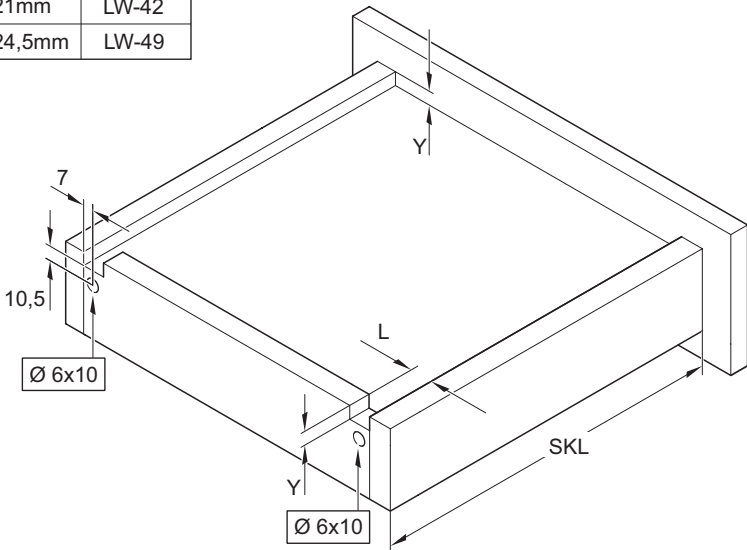


$T \leq 16 \text{ mm}$



L=30mm	M=36,5mm	O=26,6mm	P=27,5mm	$9\text{mm} \leq Y \leq 11\text{mm}$
--------	----------	----------	----------	--------------------------------------

T	N	X
16mm	21mm	LW-42
19mm	24,5mm	LW-49



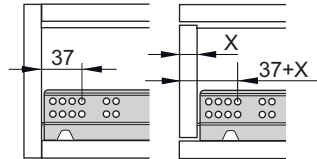
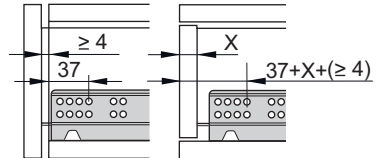
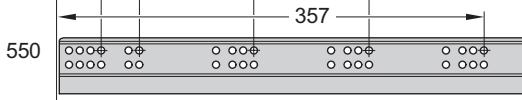
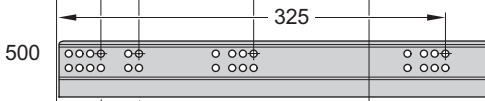
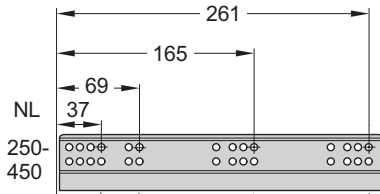
732.24.528

HDE 09.10.2023

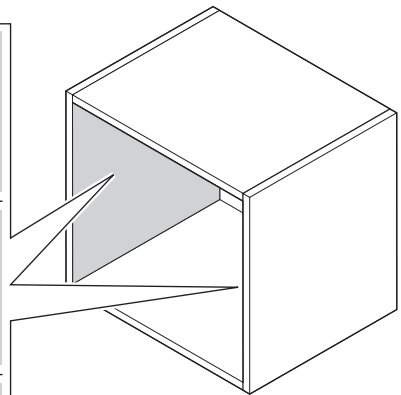
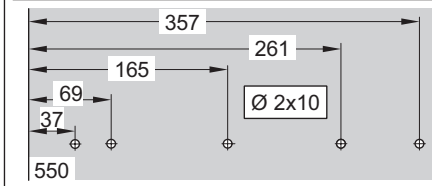
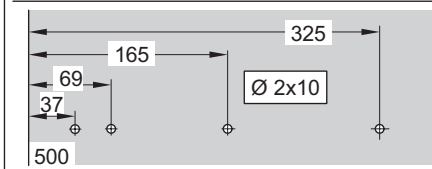
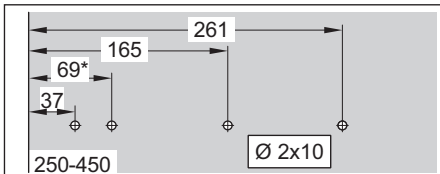
i



mm



732.24.528



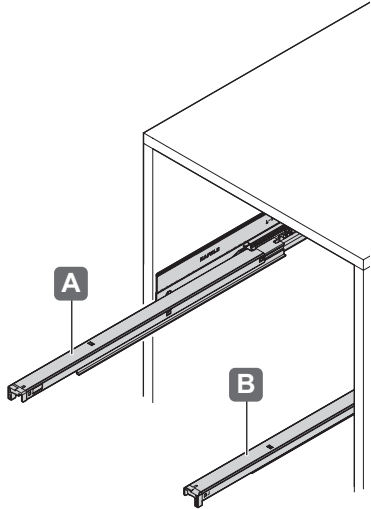
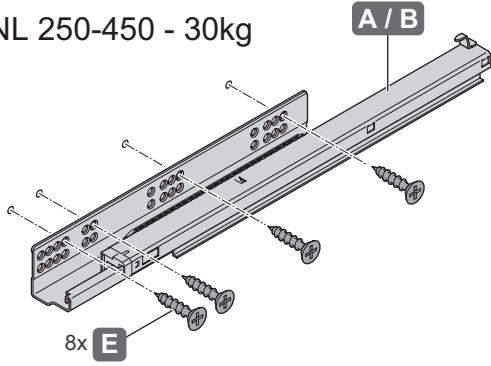
HDE 09.10.2023

1



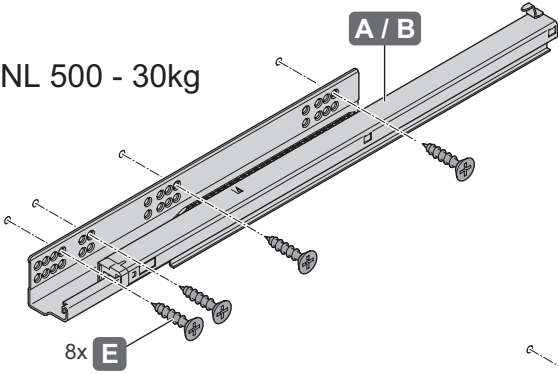
HCSPA
Ø3.5x16
6-10X

NL 250-450 - 30kg

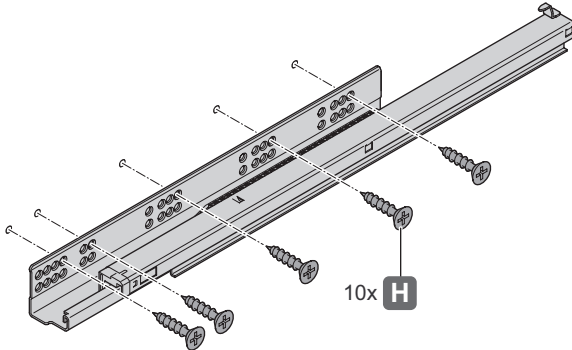


732.24.528

NL 500 - 30kg

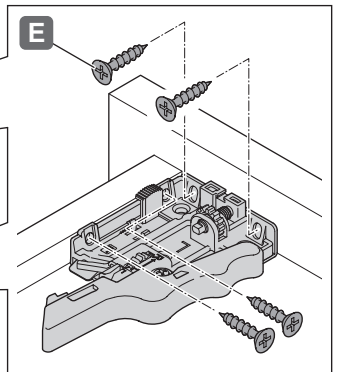
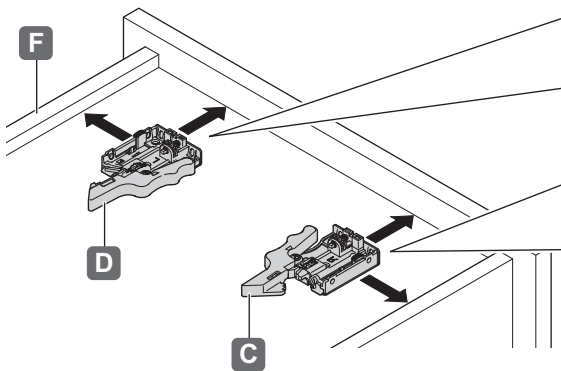
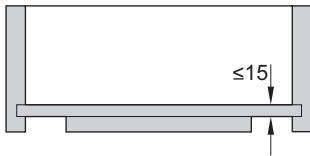
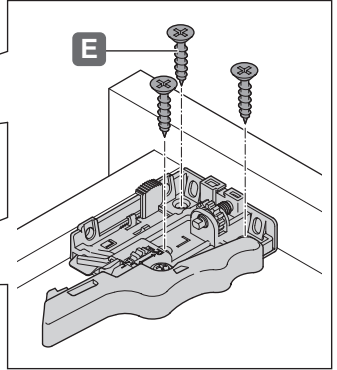
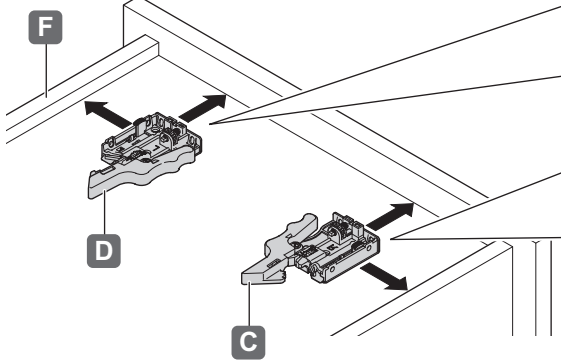
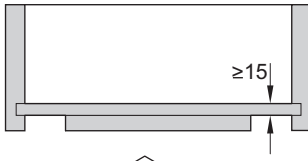


NL 550 - 30kg



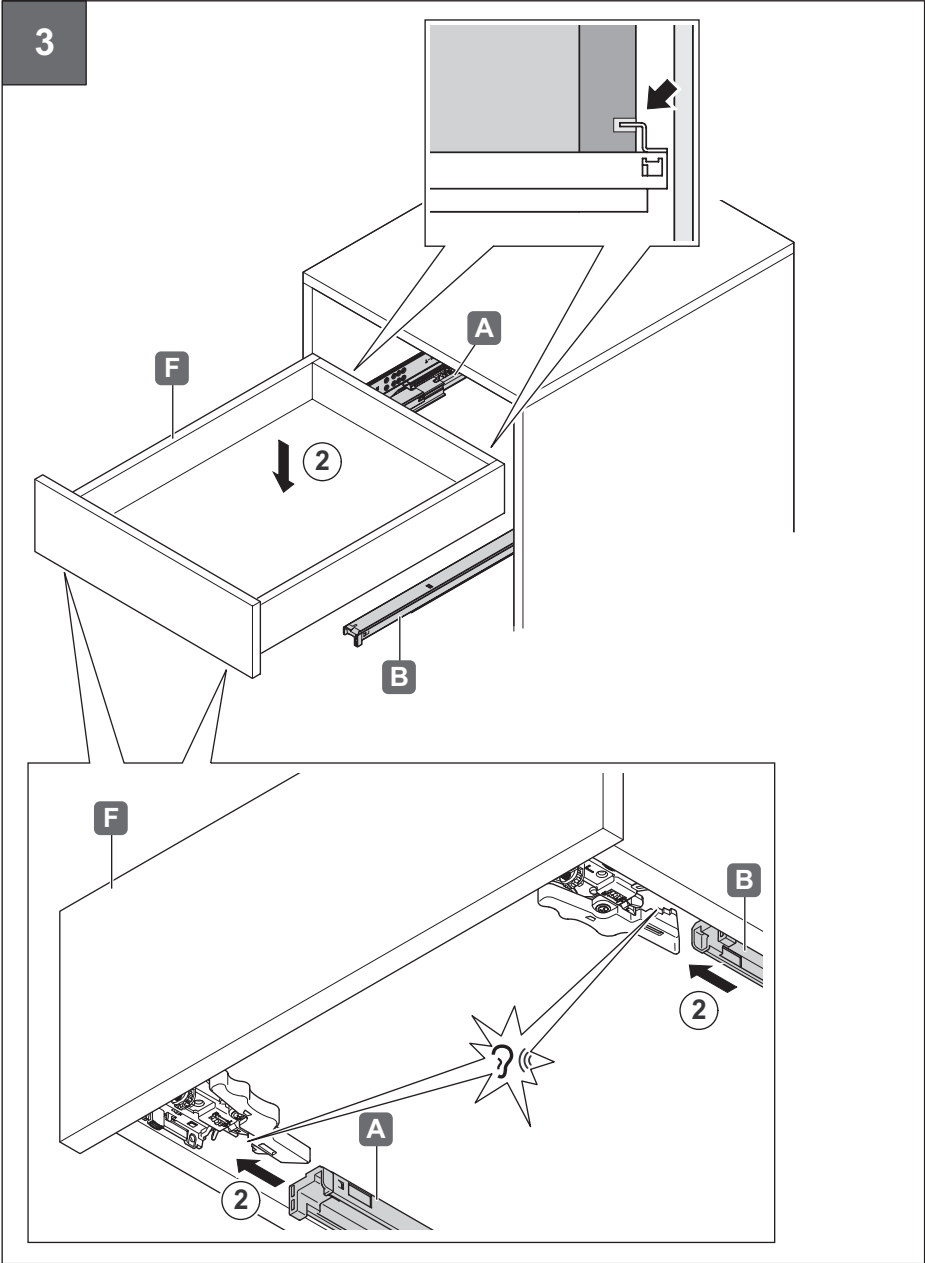
HDE 09.10.2023

2



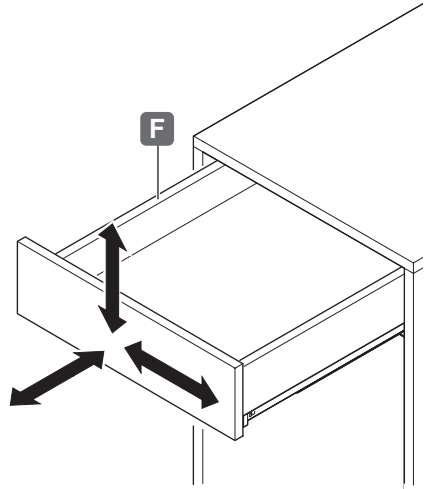
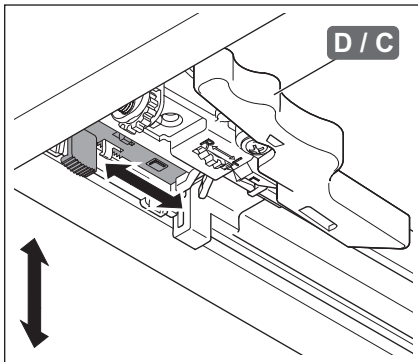
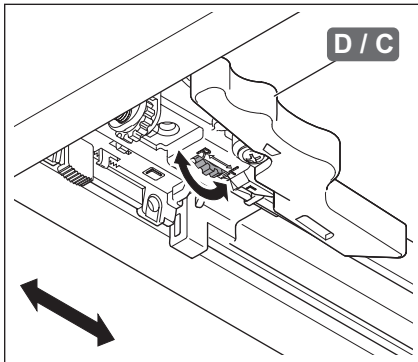
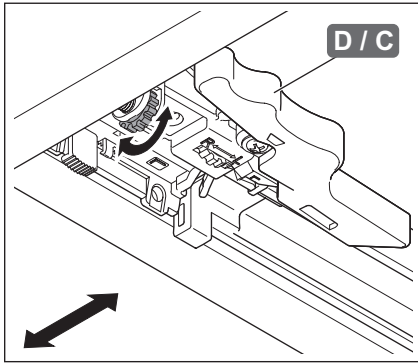
732.24.528

HDE 09.10.2023



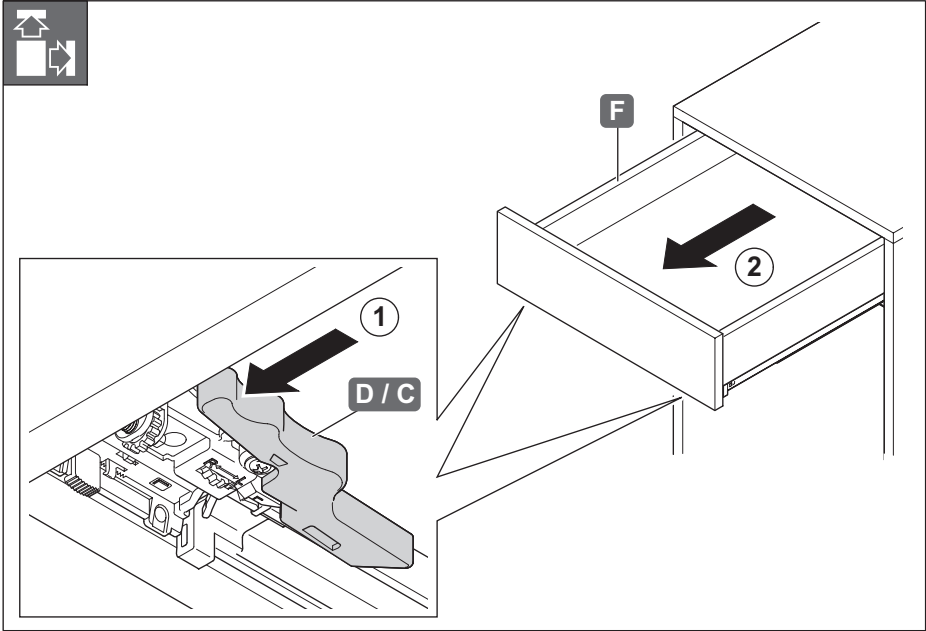
732.24.528

HDE 09.10.2023



732.24.528

HDE 09.10.2023



732.24.528