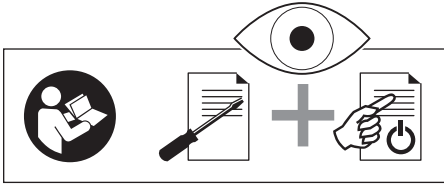




Free swing E

372.34.XXX



1 **A**

2 **H**

UK: 833.89.000
AU: 833.89.001
EU: 833.89.002
US: 833.89.003

3 **I**

2x **C**

2x **D**

372.34.6XX

372.34.090

4 **F**

E

G

■ 372.34.080
□ 372.34.085

5 **J** **U**

372.37.099

L

M M4 x 8

N 4 x 35

S

R

T

K

372.91.098

O

372.33.6XX

+

20

2x **Q**

14x **P** M4 x 8 DIN 965

372.91.599

732.23.032

12.0001.010.433.0000.00

HDE 06/2016

i		mm				
	370	372.34.090	1.8 - 4.0 kg	S1sw	372.34.600	
	400		3.4 - 6.5 kg	S4sw	372.34.601	
	450		5.2 - 10.3 kg	S7sw	372.34.602	
	500		1.8 - 3.9 kg	S1sw	372.34.600	
	500		3.3 - 6.3 kg	S4sw	372.34.601	
	550		5.0 - 10.0 kg	S7sw	372.34.602	
	600		1.8 - 3.7 kg	S1sw	372.34.600	
	670		3.2 - 6.1 kg	S4sw	372.34.601	
	670		4.8 - 9.4 kg	S7sw	372.34.602	
	700		1.8 - 3.5 kg	S1sw	372.34.600	
	750		3.0 - 5.8 kg	S4sw	372.34.601	
	800		4.5 - 8.9 kg	S7sw	372.34.602	
			500	2.5 - 5.9 kg	S2sw	372.34.610
			550	5.0 - 10.0 kg	S5sw	372.34.611
	600	8.2 - 15.9 kg	S8sw	372.34.612		
	670	2.5 - 5.6 kg	S2sw	372.34.610		
	700	4.8 - 9.6 kg	S5sw	372.34.611		
	750	7.8 - 15.2 kg	S8sw	372.34.612		
	800	2.5 - 5.3 kg	S2sw	372.34.610		
		4.7 - 9.3 kg	S5sw	372.34.611		
		7.5 - 14.5 kg	S8sw	372.34.612		
		2.5 - 4.8 kg	S2sw	372.34.610		
		4.5 - 8.8 kg	S5sw	372.34.611		
		7.0 - 13.5 kg	S8sw	372.34.612		
		3.2 - 6.5 kg	S3sw	372.34.620		
		5.7 - 11.3 kg	S6sw	372.34.621		
		8.5 - 17.1 kg	S9sw	372.34.622		
		3.1 - 6.3 kg	S3sw	372.34.620		
		5.6 - 11.1 kg	S6sw	372.34.621		
		8.4 - 16.7 kg	S9sw	372.34.622		
		3.0 - 6.0 kg	S3sw	372.34.620		
		5.4 - 10.7 kg	S6sw	372.34.621		
		8.2 - 16.0 kg	S9sw	372.34.622		
		2.9 - 5.7 kg	S3sw	372.34.620		
		5.3 - 10.3 kg	S6sw	372.34.621		
		8.0 - 15.3 kg	S9sw	372.34.622		

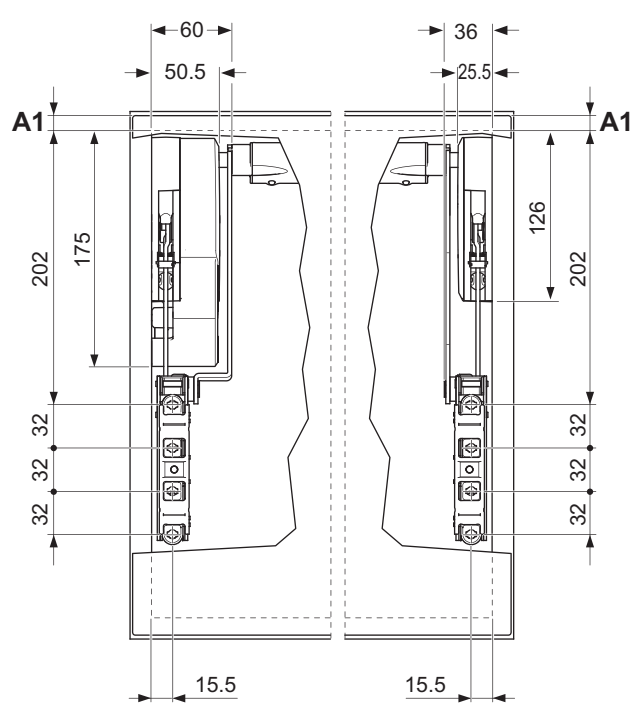
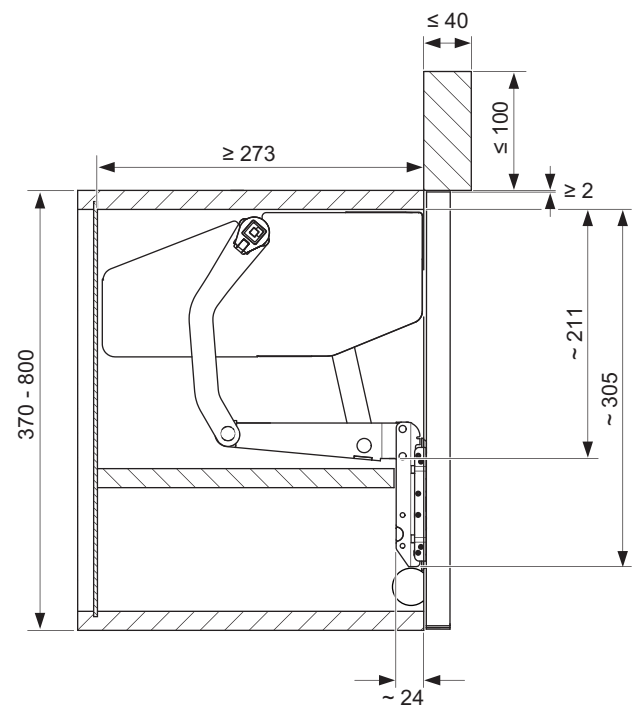
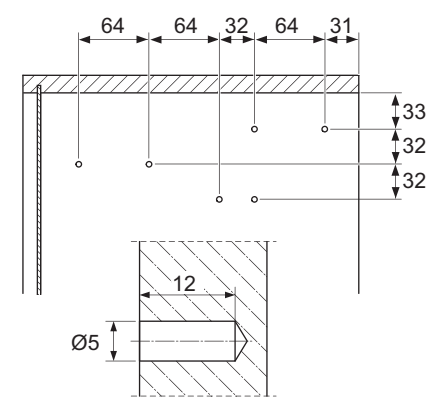
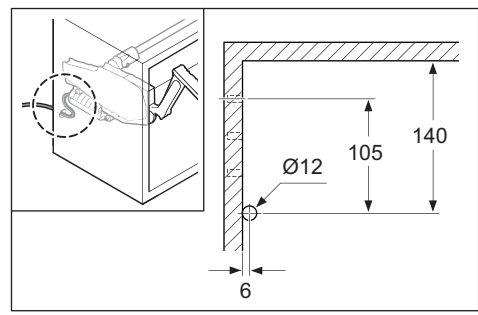
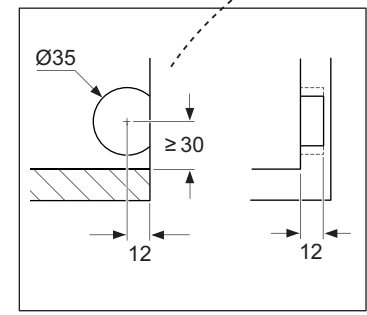
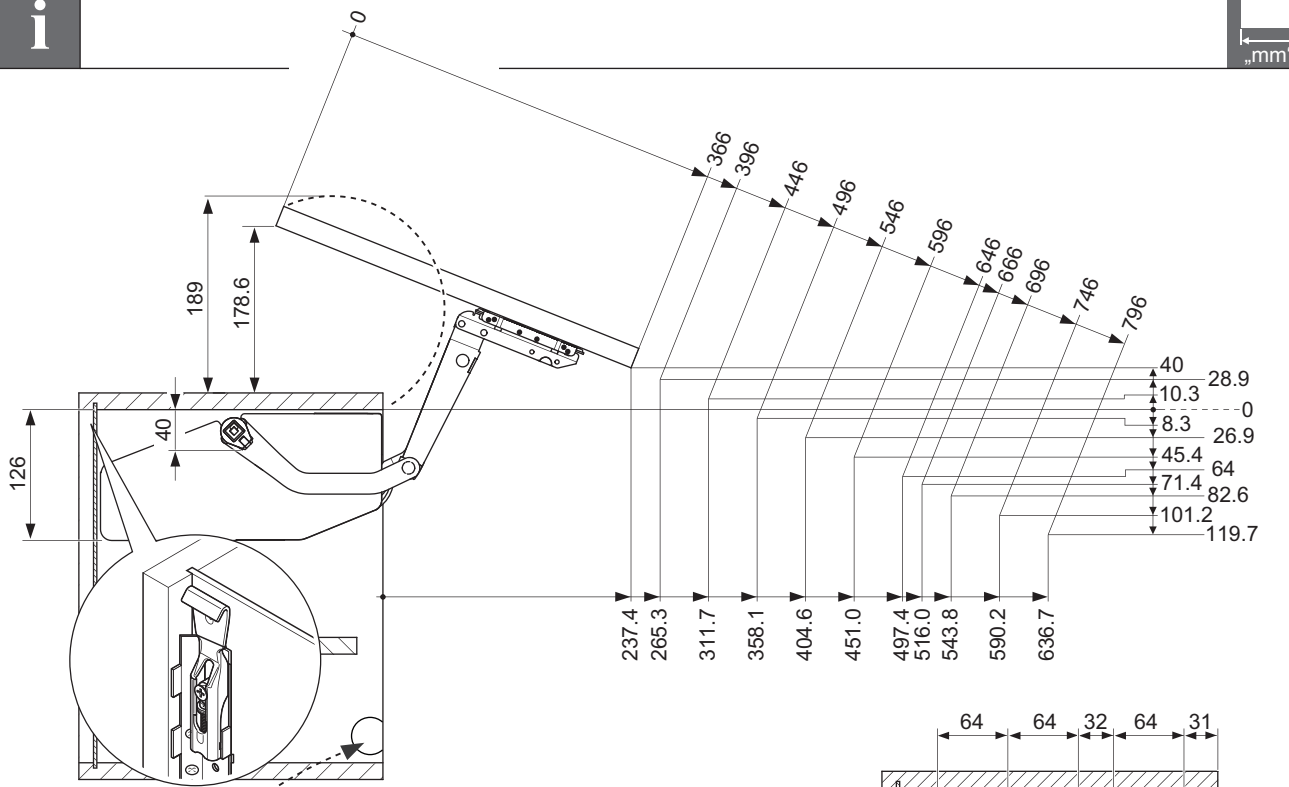
732.23.032

1		mm	
KB > 1200			
		600	16
			19
		900	16
			19
		1200	16
			19
		KB	16
			19
			KB - (2 x K) - 113
			449
			749
			1049
			372.33.689
			372.33.688
			372.33.687

HDE 06/2016

i

„mm“



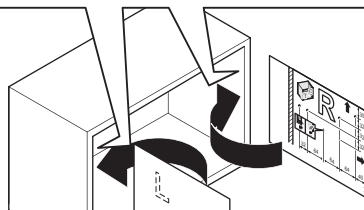
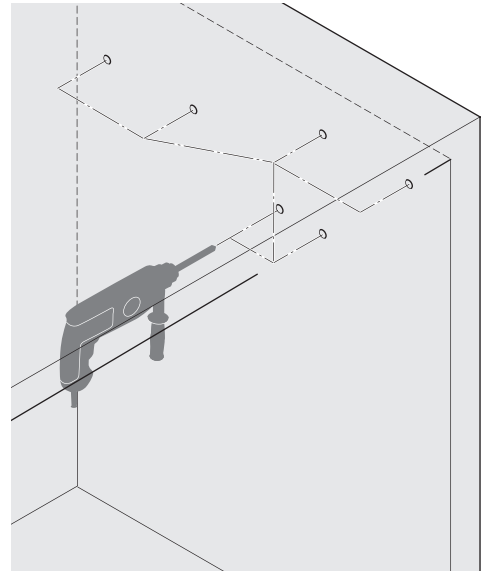
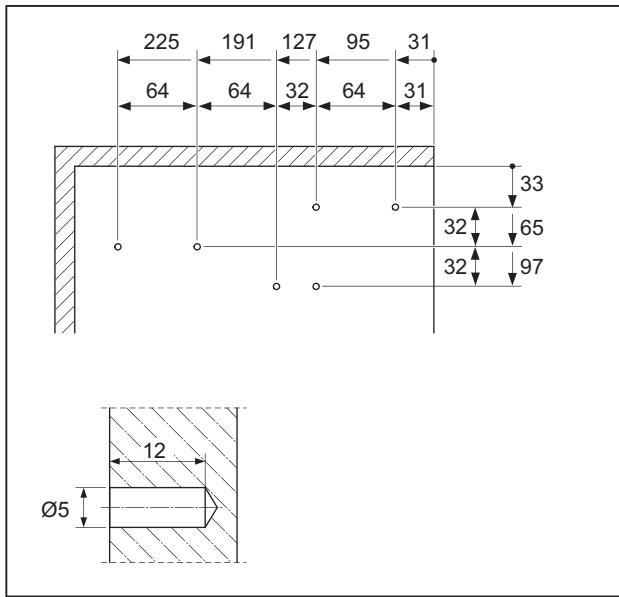
732.23.032

HDE 06/2016

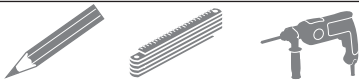
1



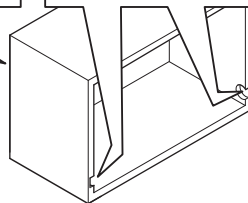
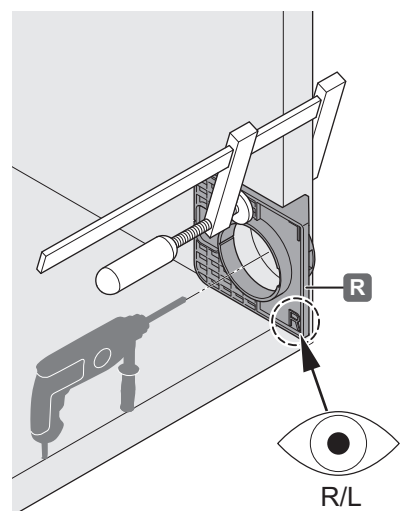
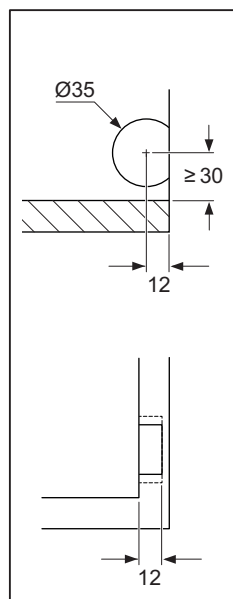
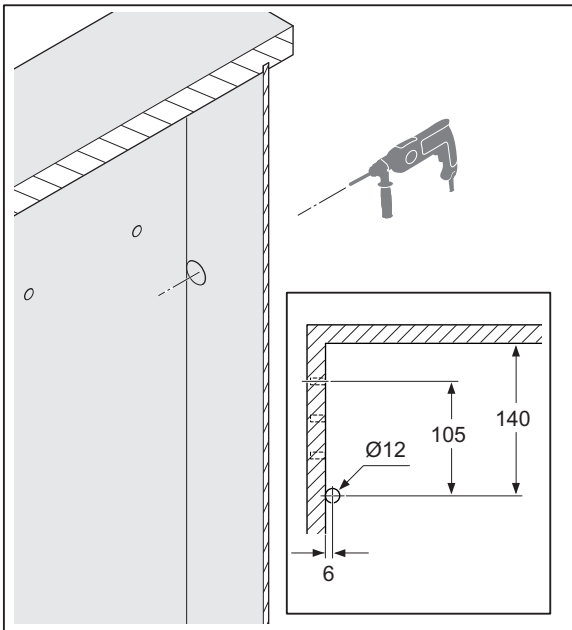
„mm“



2



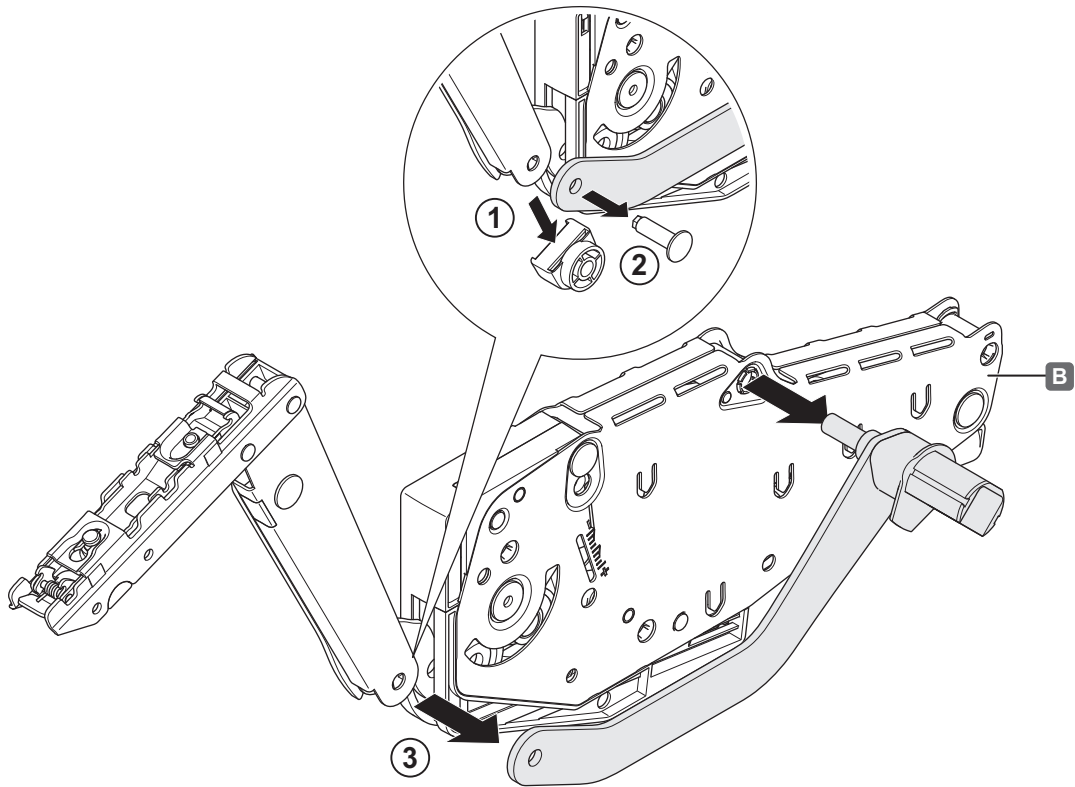
„mm“



732.23.032

HDE 06/2016

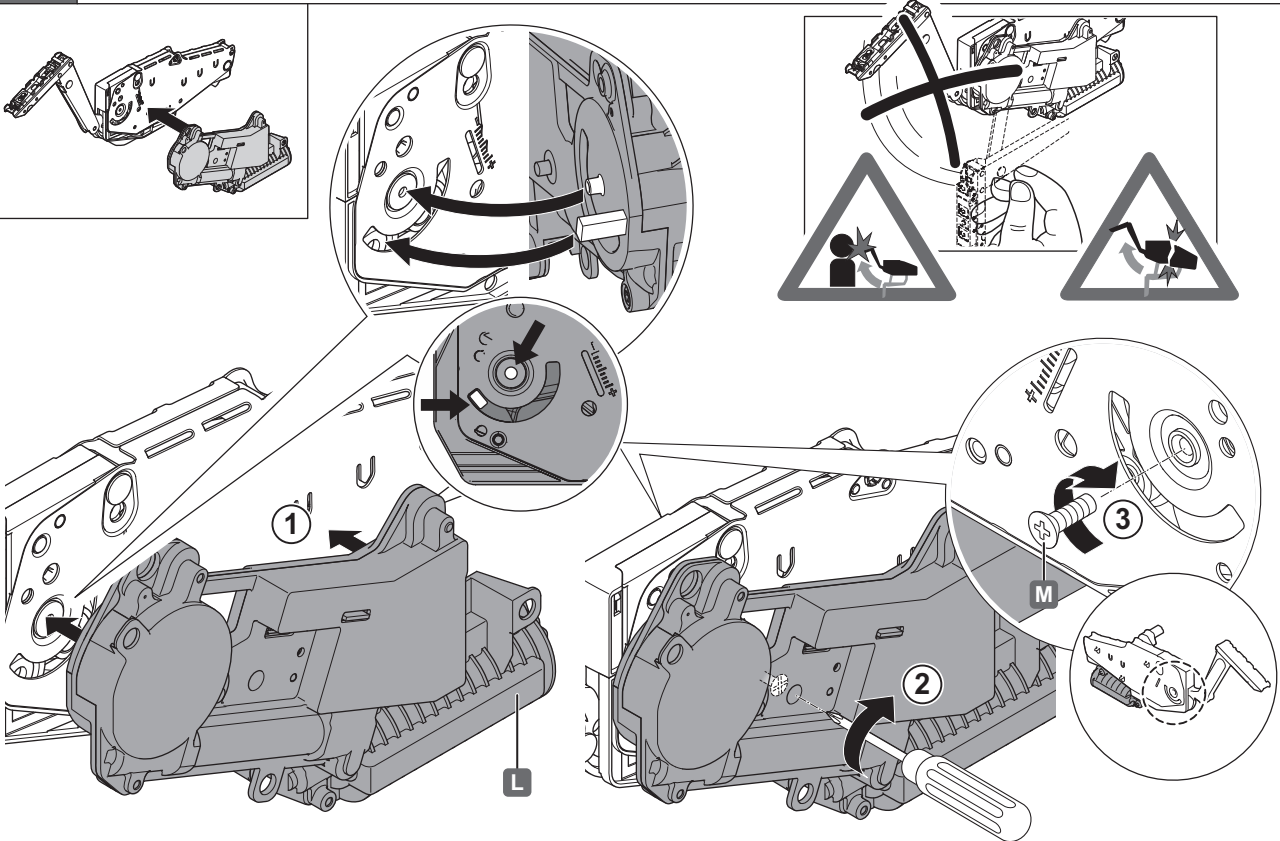
3



4



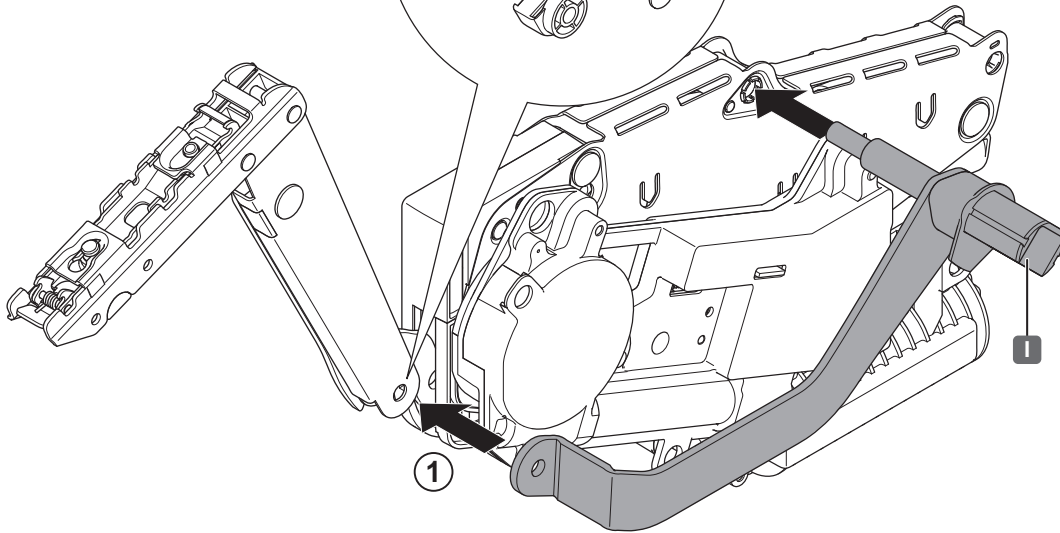
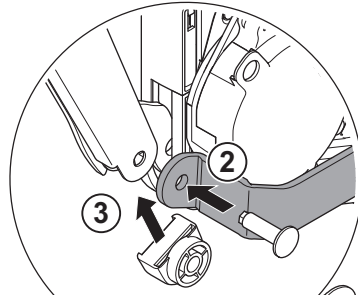
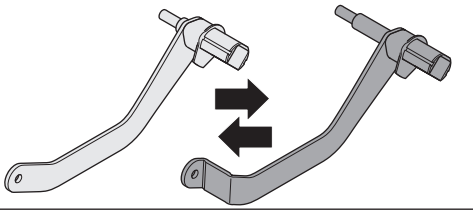
PZ 2



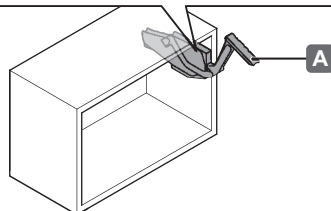
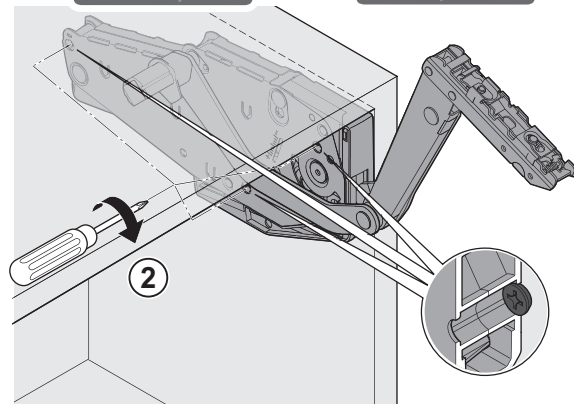
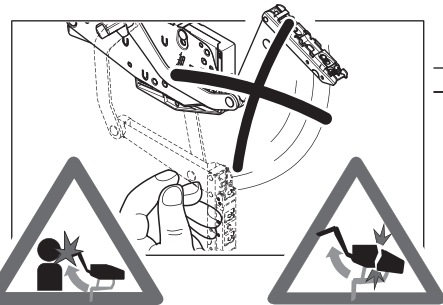
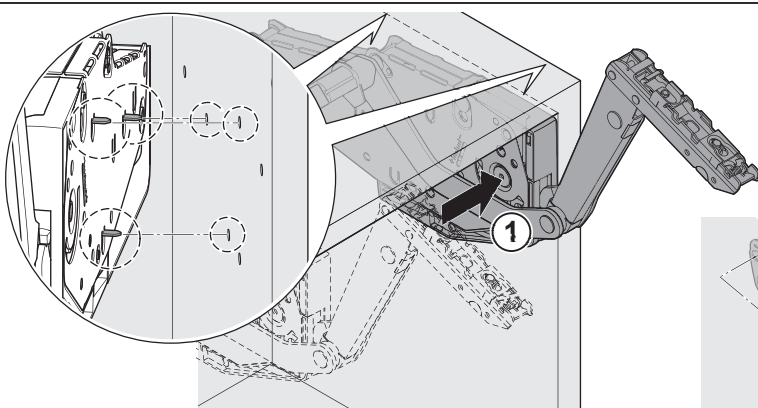
732.23.032

HDE 06/2016

5



6



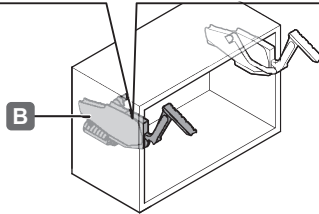
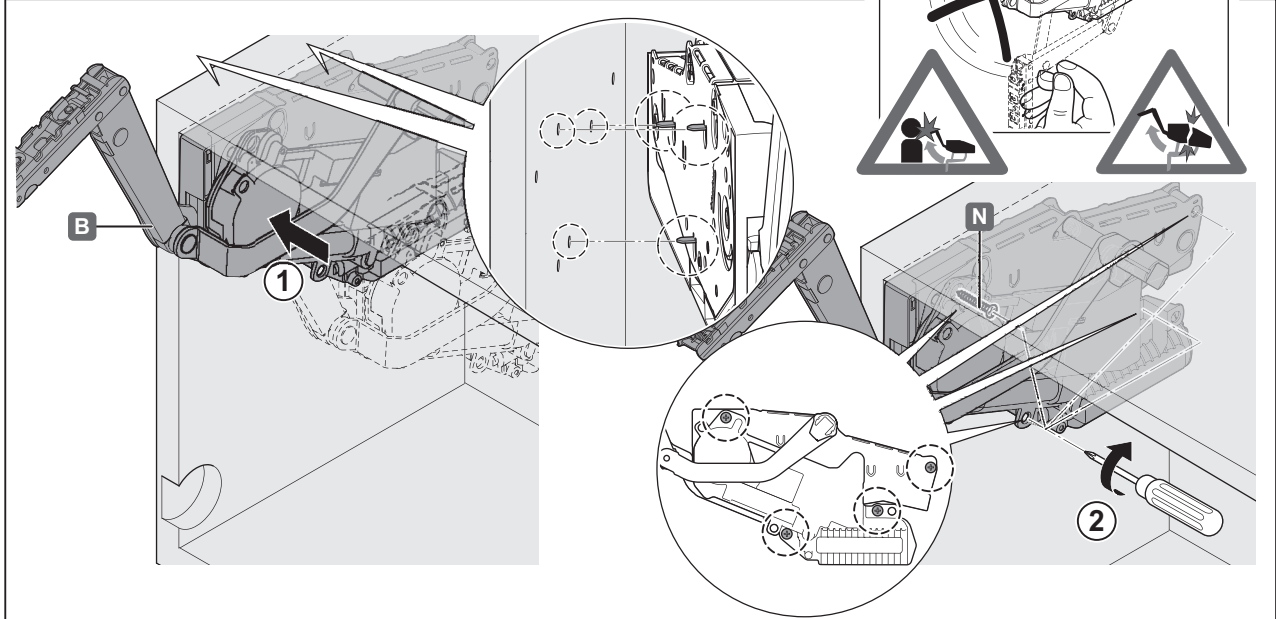
732.23.032

HDE 06/2016

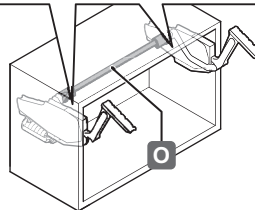
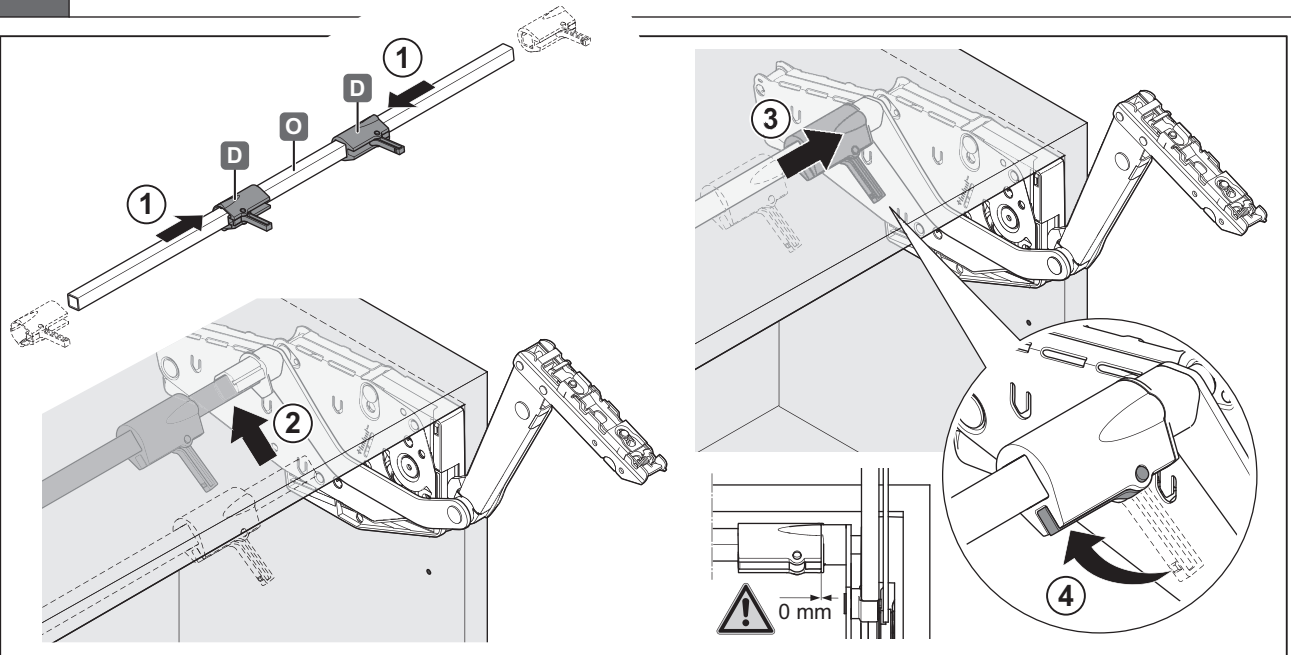
7



PZ 2



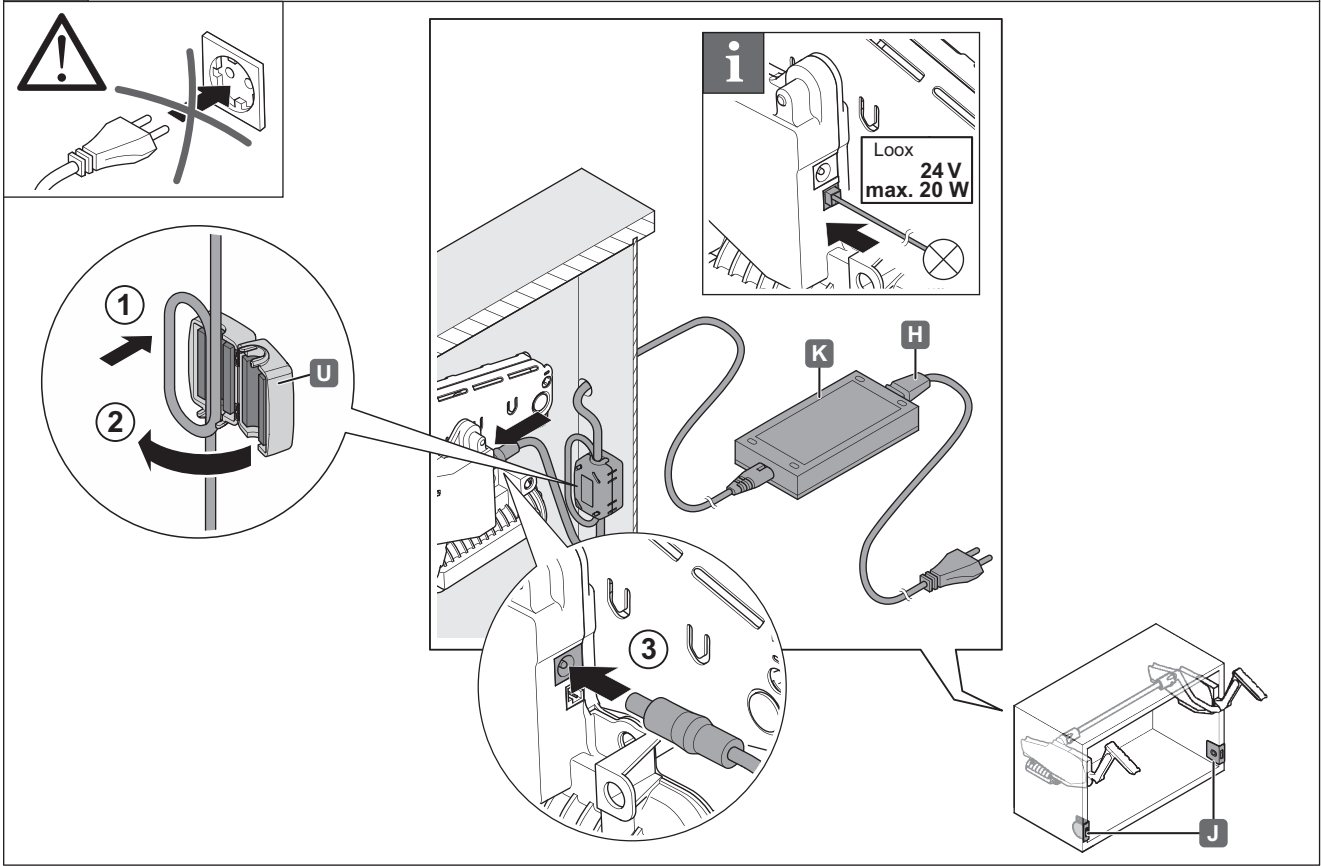
8



732.23.032

HDE 06/2016

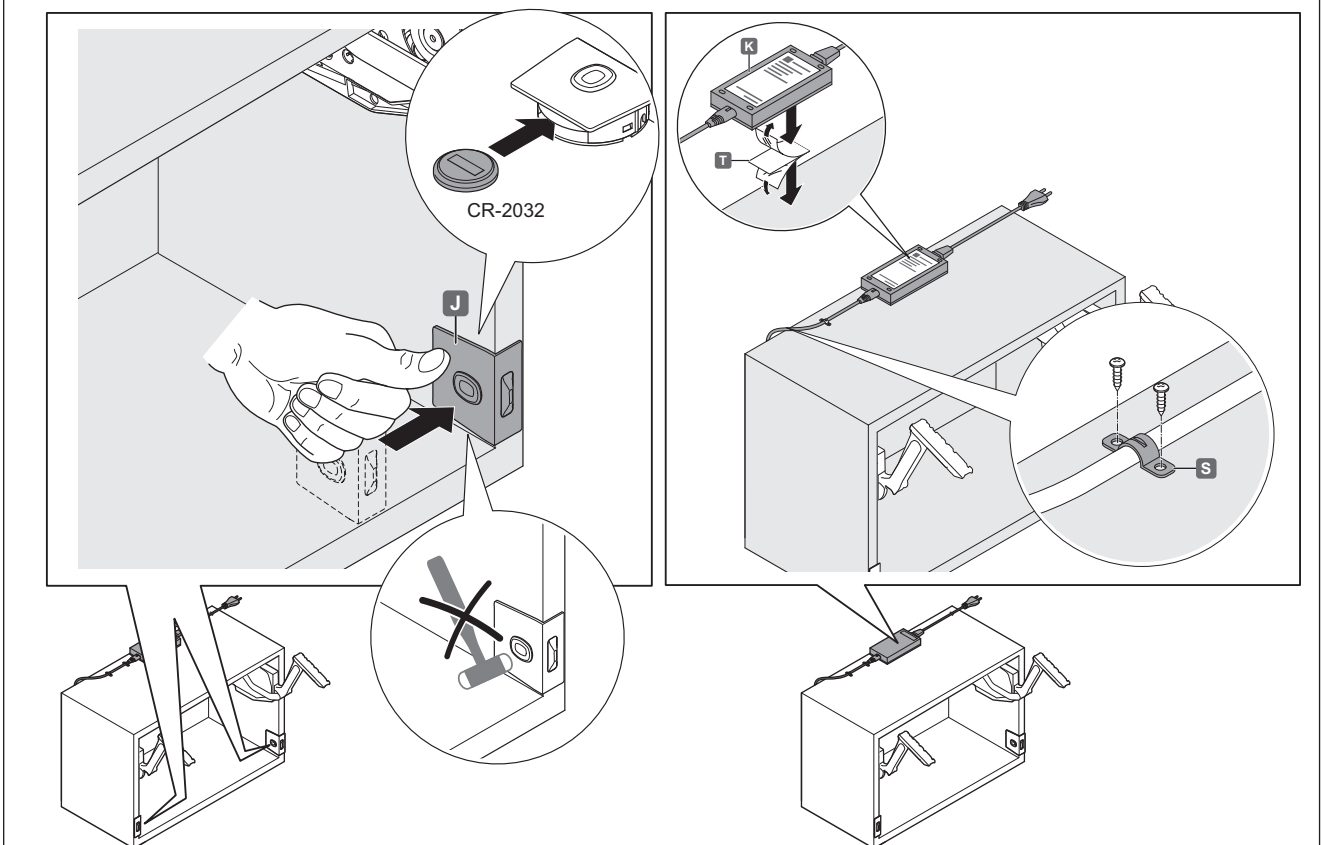
9








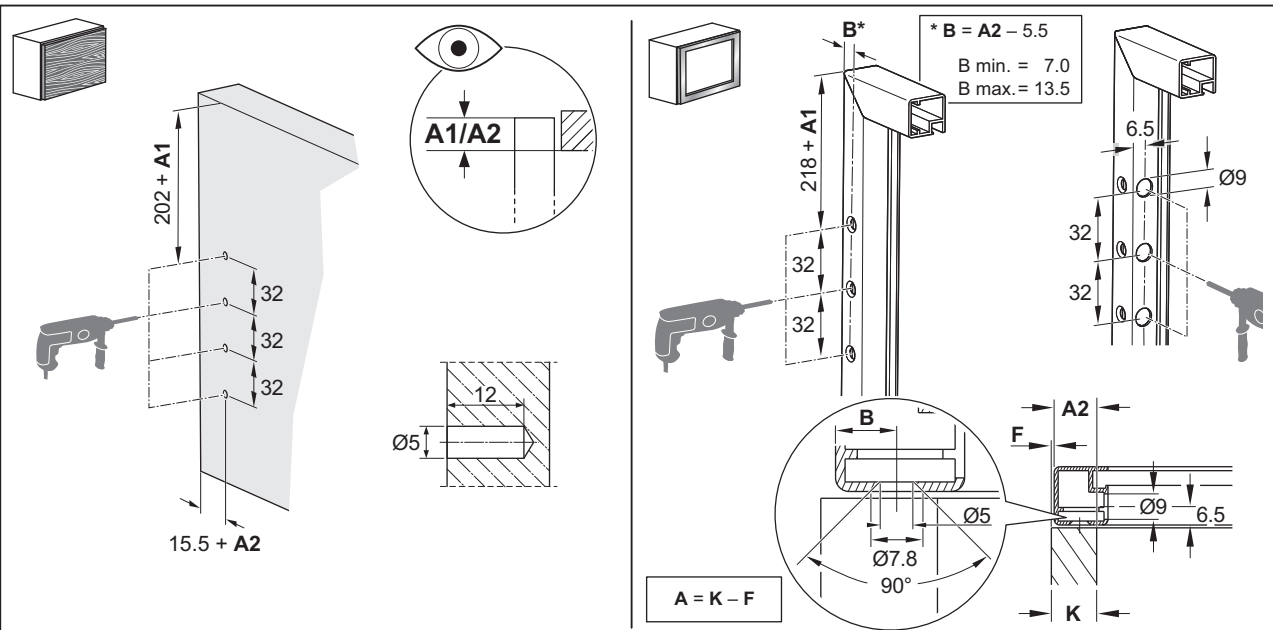
10



PZ 2



11  5 mm   9 mm  5 mm 



$202 + A1$
32
32
32
 $15.5 + A2$

$A1/A2$

12
 $\varnothing 5$


B^*
 $218 + A1$
32
32
32

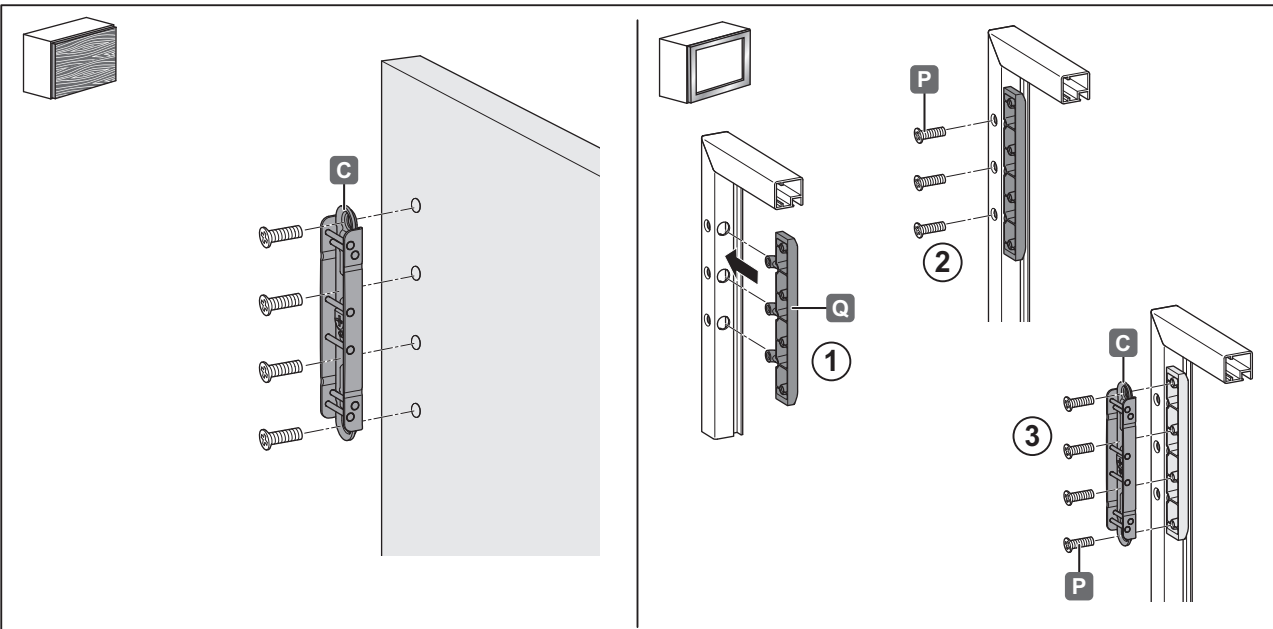
B
 $B^* = A2 - 5.5$
B min. = 7.0
B max. = 13.5

$\varnothing 9$
6.5
32
32

$A2$
F
 $\varnothing 5$
 $\varnothing 7.8$
90°
K

$A = K - F$

12 



G

P

2

1

3

C

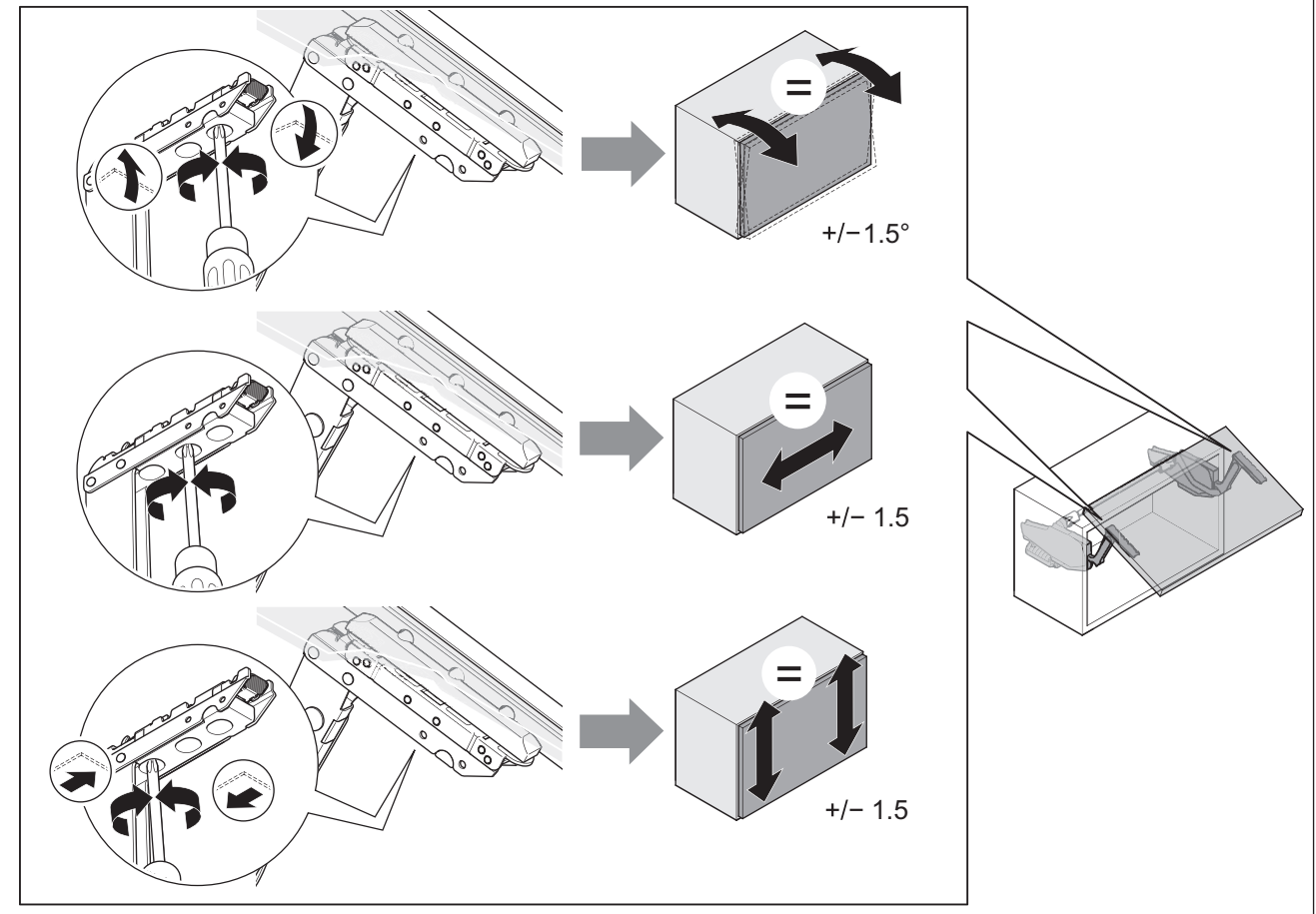
P

732.23.032

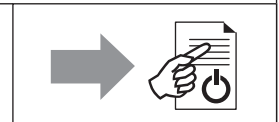
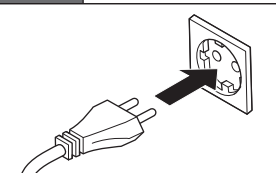
HDE 06/2016



PZ 2

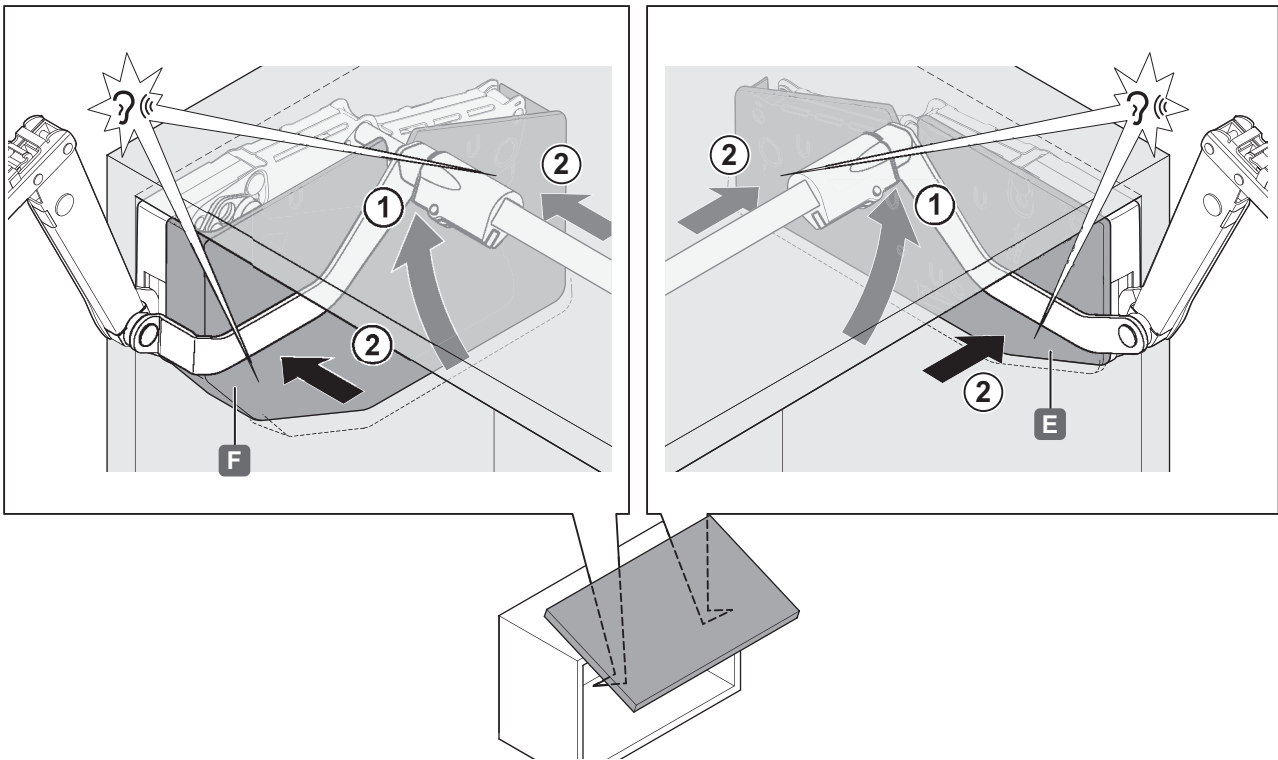


732.23.032

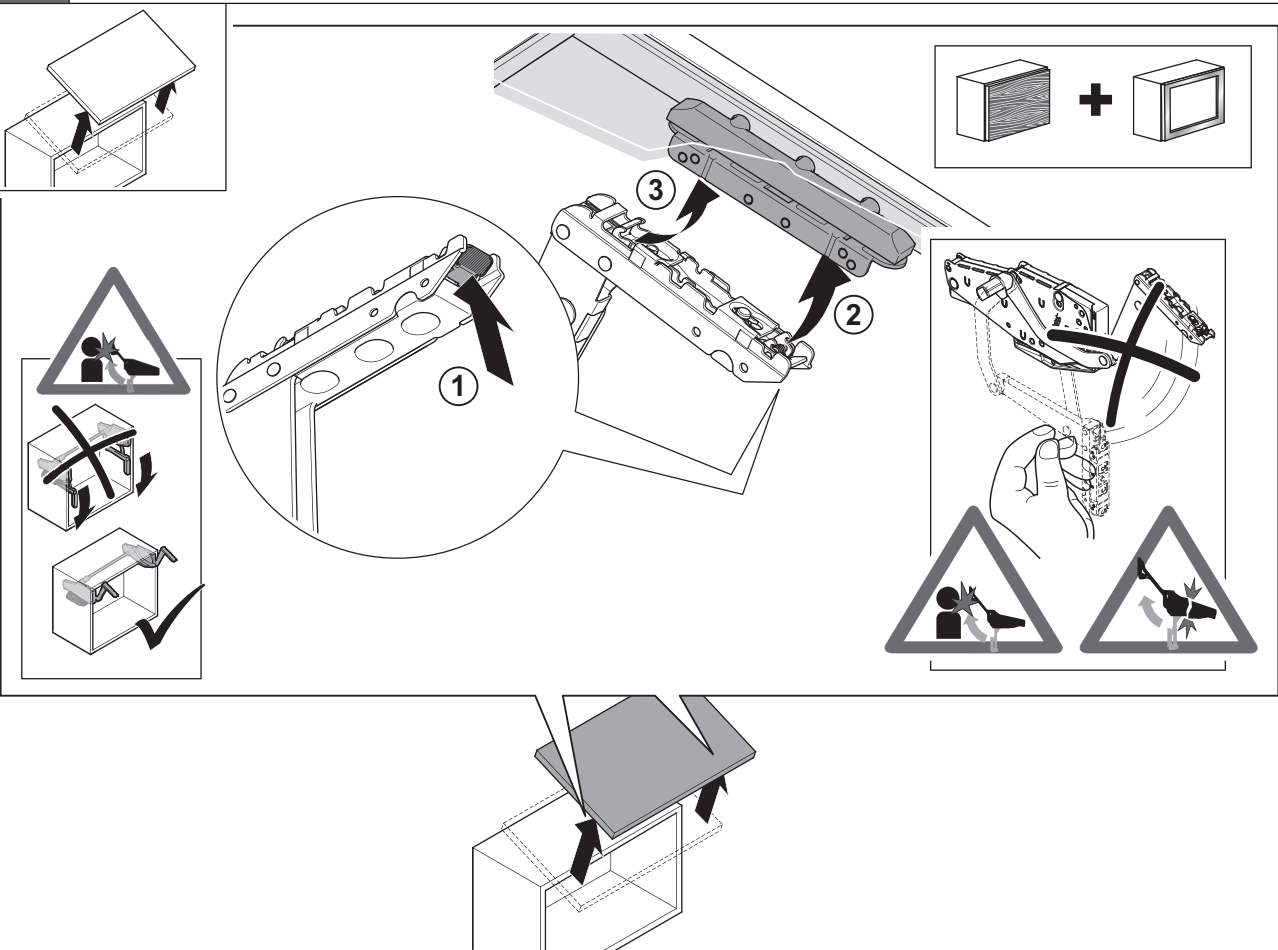


HDE 06/2016

14



i



732.23.032

HDE 06/2016