

981.02.081	981.51.013
981.02.083	981.51.021
981.51.004	981.51.023
981.51.003	981.51.031
981.51.014	981.51.033

981.02.081
981.02.083

A1

- B X2** (Screws)
- C X4** (Screws)
- D X4** (Screws)
- E** (L-shaped bracket)

981.51.004
981.51.003

A2

- B X2** (Screws)
- C X4** (Screws)
- D X4** (Screws)
- E** (L-shaped bracket)

981.51.031
981.51.033

A3

- B X4** (Screws)
- E** (L-shaped bracket)

981.51.014
981.51.013

A4

- B X4** (Screws)
- E** (L-shaped bracket)

981.51.021
981.51.023

A5

- B X4** (Screws)
- E** (L-shaped bracket)

732.29.745

i

A1

A2

A3

A4

A5

≥ 250

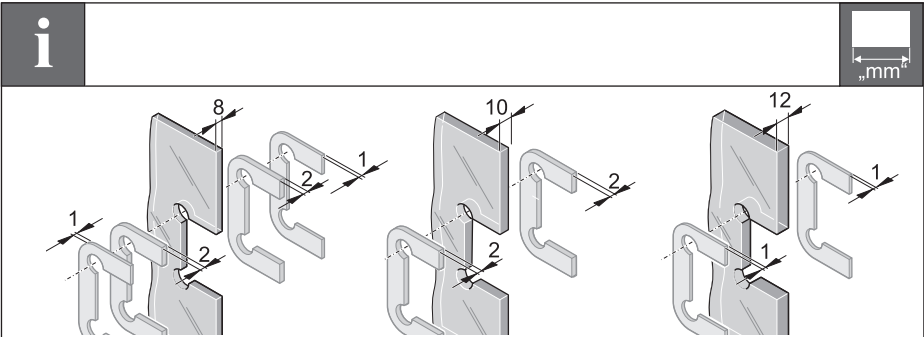
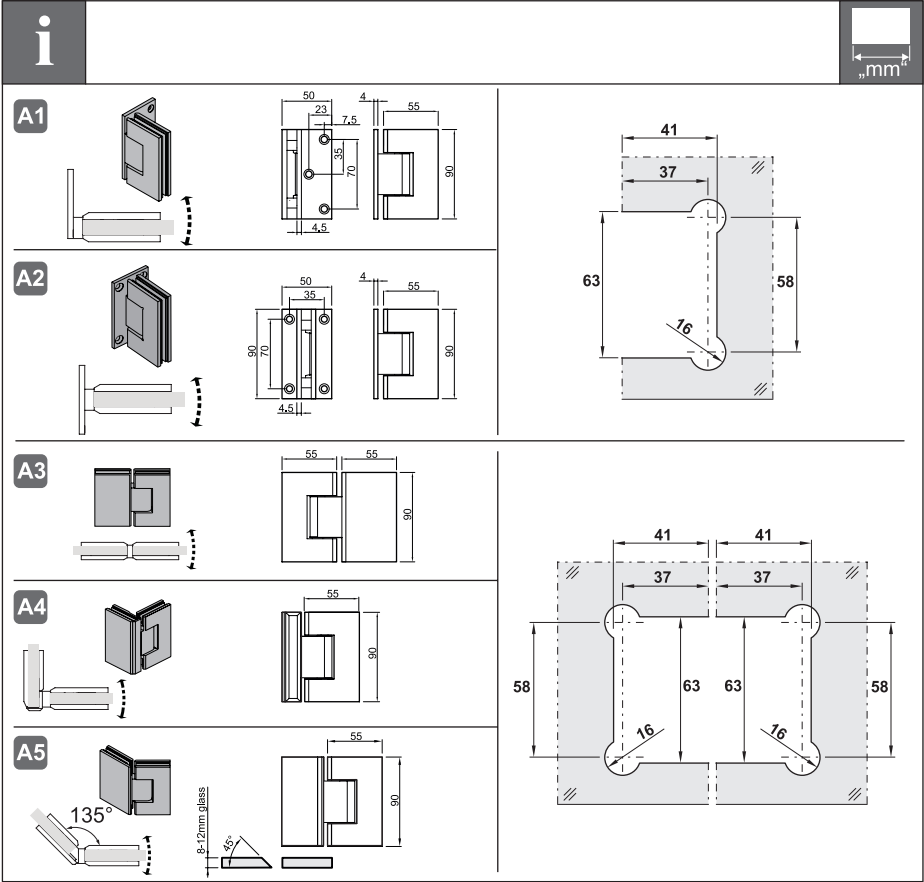
≥ 250

≤ 45 Kg

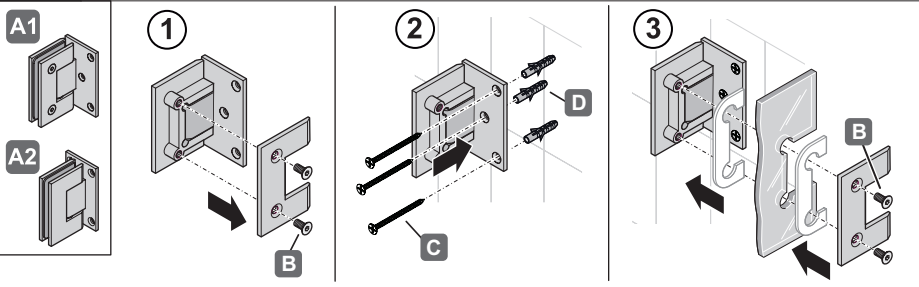
≤ 800

8-12

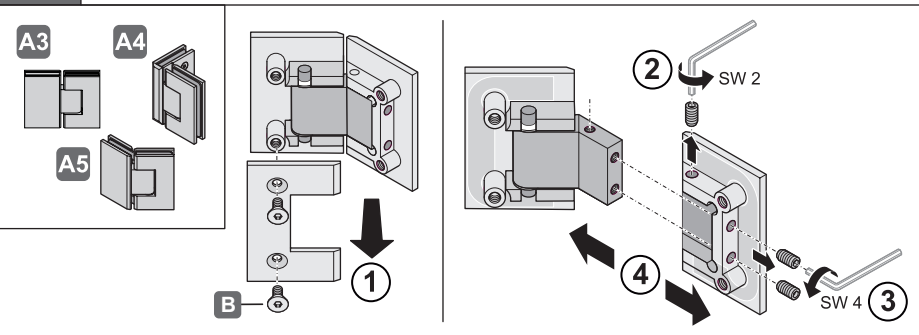
HDE 19.09.2022



1A

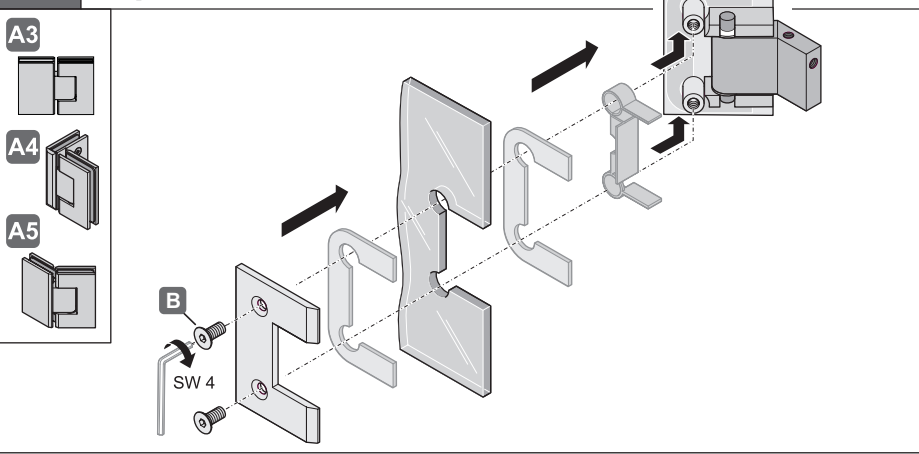


1B

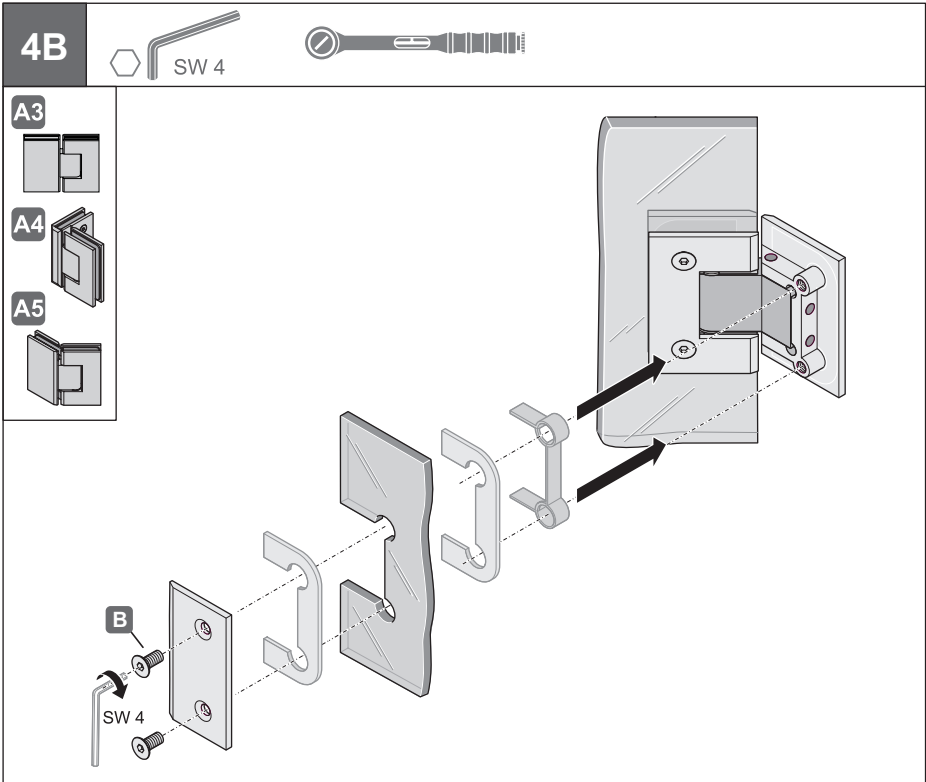
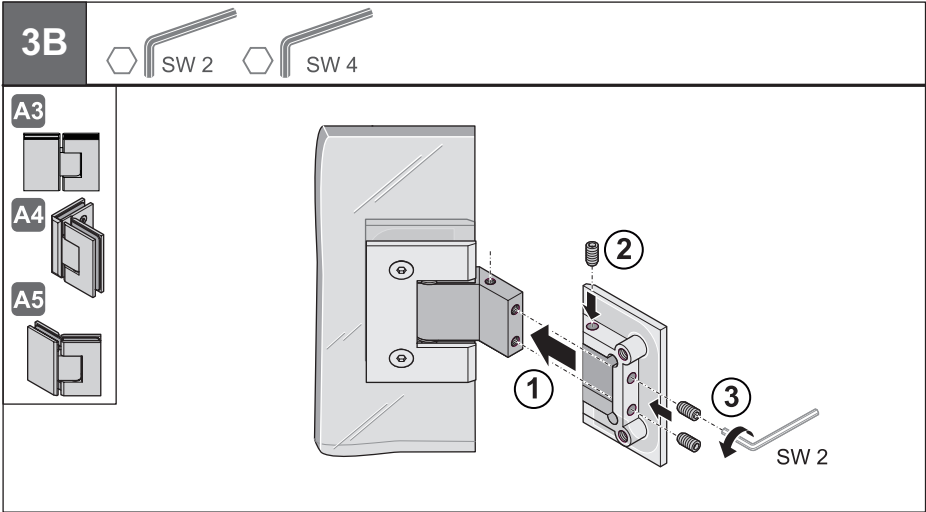


732.29.745

2B



HDE 19.09.2022



732.29.745

HDE 19.09.2022