



Free up E

372.33.XXX



1 **A** **B** **C** **D** **E** **F** **G** **H** **I** **J** **K** **L** **M** **N** **O** **P** **Q** **R** **S** **T** **U** **V**

372.33.6XX

372.33.080
372.33.085

372.33.09X

372.37.099

M4 x 8
4 x 35

14x **P** M4 x 8 DIN 965

2x **Q**

372.91.599

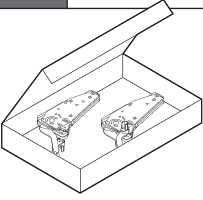
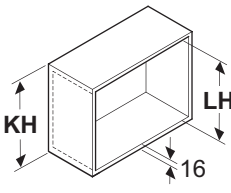
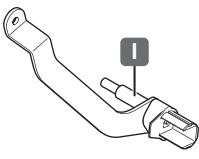
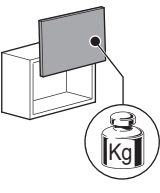
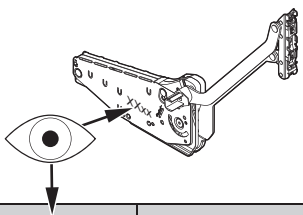
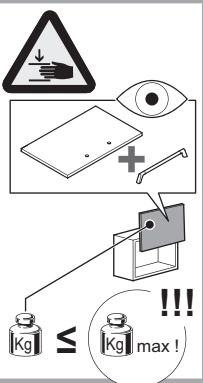
372.91.098

UK: 833.89.000
AU: 833.89.001
EU: 833.89.002
US: 833.89.003

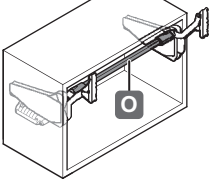
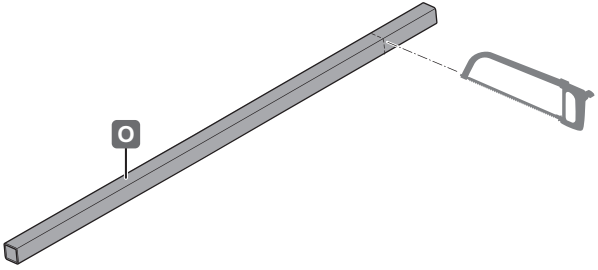
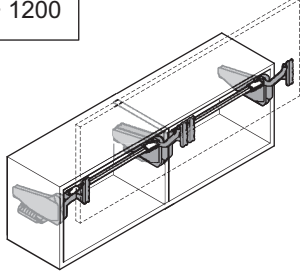
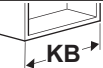

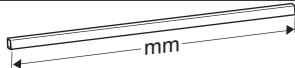
732.23.018

12.0001.010.431.0000.00

HDE 06/2016

i		mm			
					
	KH: 320 - 360 LH: ≥ 280	372.33.090	3.0 - 5.7	O1us	372.33.600
			4.8 - 9.3	O2us	372.33.601
			8.7 - 16.5	O3us	372.33.602
	KH: 345 - 420 LH: ≥ 308	372.33.091	2.4 - 4.8	P1us	372.33.610
			4.1 - 8.0	P2us	372.33.611
			7.4 - 14.0	P3us	372.33.612
			11.0 - 19.6	P4us	372.33.613
	KH: 380 - 500 LH: ≥ 343	372.33.092	2.0 - 3.8	Q1us	372.33.620
			3.4 - 6.7	Q2us	372.33.621
			6.3 - 11.8	Q3us	372.33.622
			9.3 - 17.4	Q4us	372.33.623
	KH: 430 - 600 LH: ≥ 388	372.33.093	1.6 - 3.3	R1us	372.33.630
2.6 - 5.5			R2us	372.33.631	
5.0 - 9.7			R3us	372.33.632	
7.4 - 14.6			R4us	372.33.633	

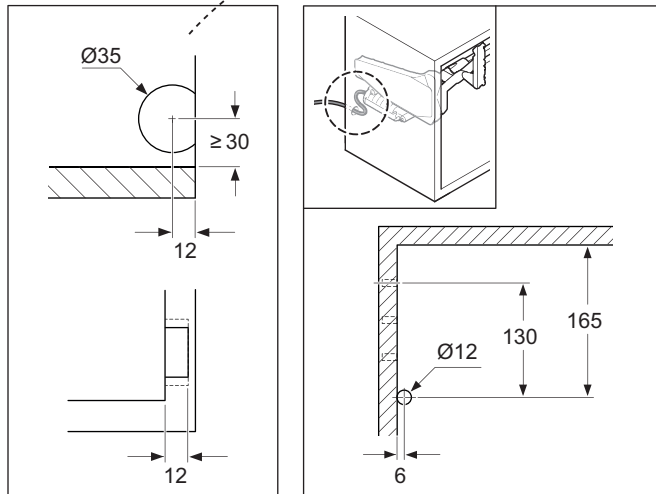
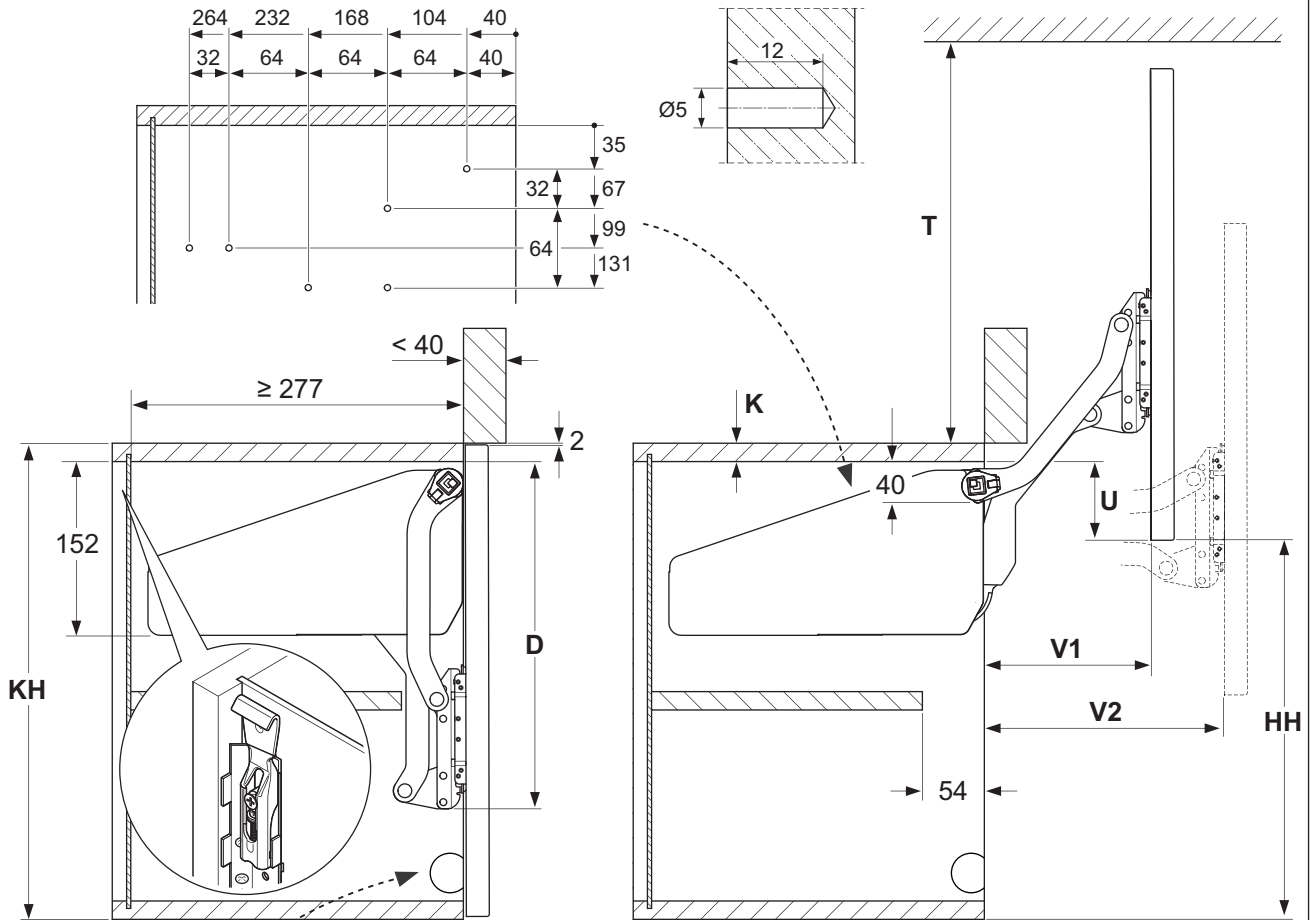
732.23.018

1		mm		
				
KB > 1200 				
	600	16	449	372.33.689
		19		
	900	16	749	372.33.688
		19		
1200	16	1049	372.33.687	
	19			
KB	16	KB - (2 x K) - 113		
	19			

HDE 06/2016

i

mm



KH	U = KH - HH - K					
	X	D	HH	T	V1	V2
320 - 360	157	274.5	278	≥ 281	128	177
345 - 420	185	302.5	328	≥ 333	146	205
380 - 500	220	337.5	390	≥ 393	168	240
430 - 600	265	382.5	470	≥ 473	196	284

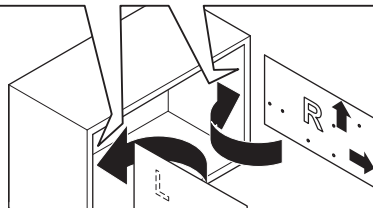
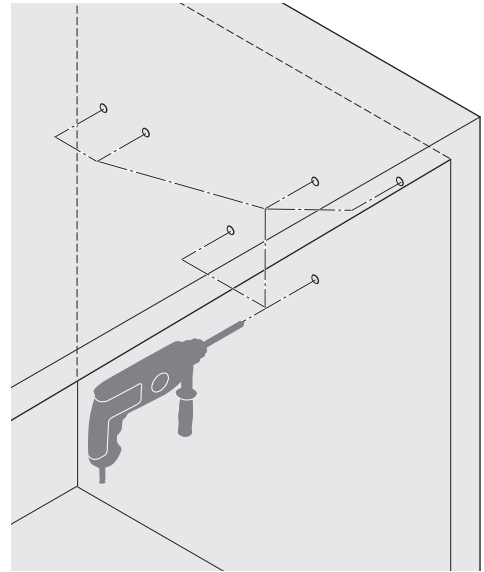
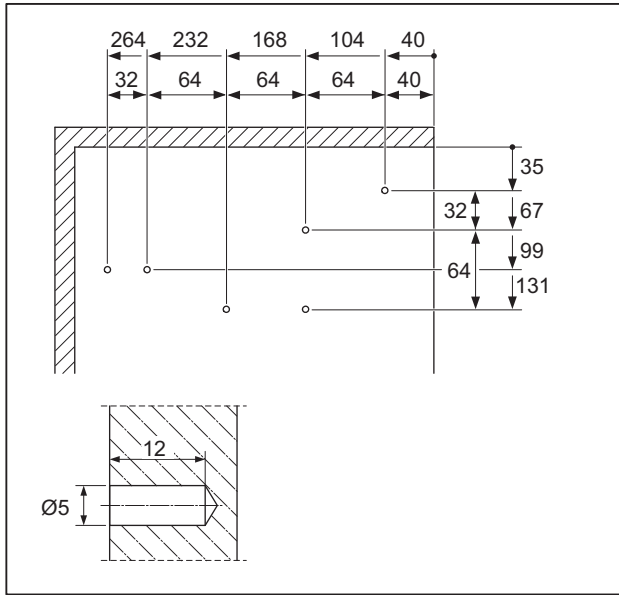
732.23.018

HDE 06/2016

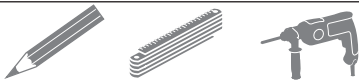
1



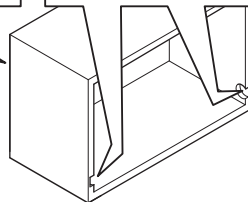
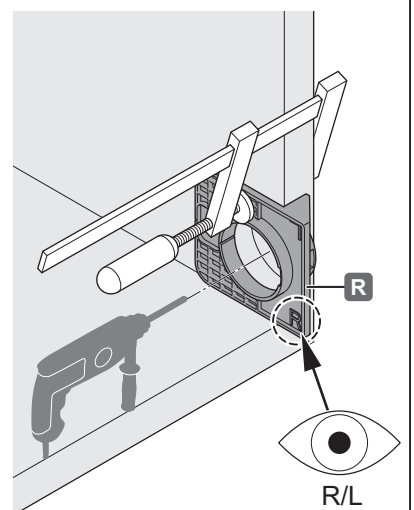
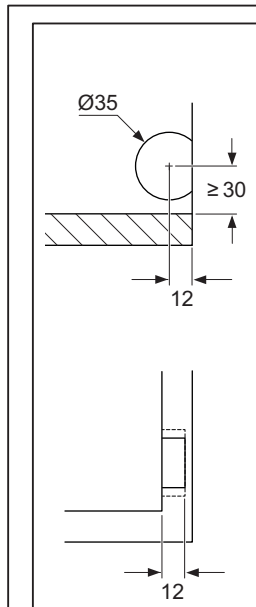
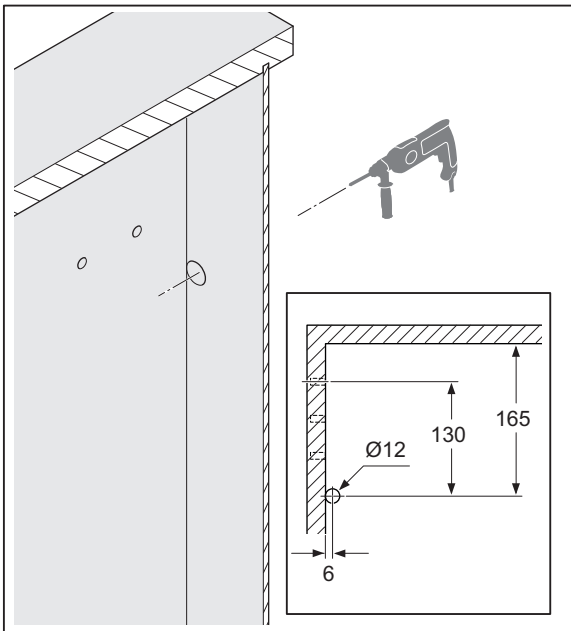
„mm“



2



„mm“



732.23.018

HDE 06/2016

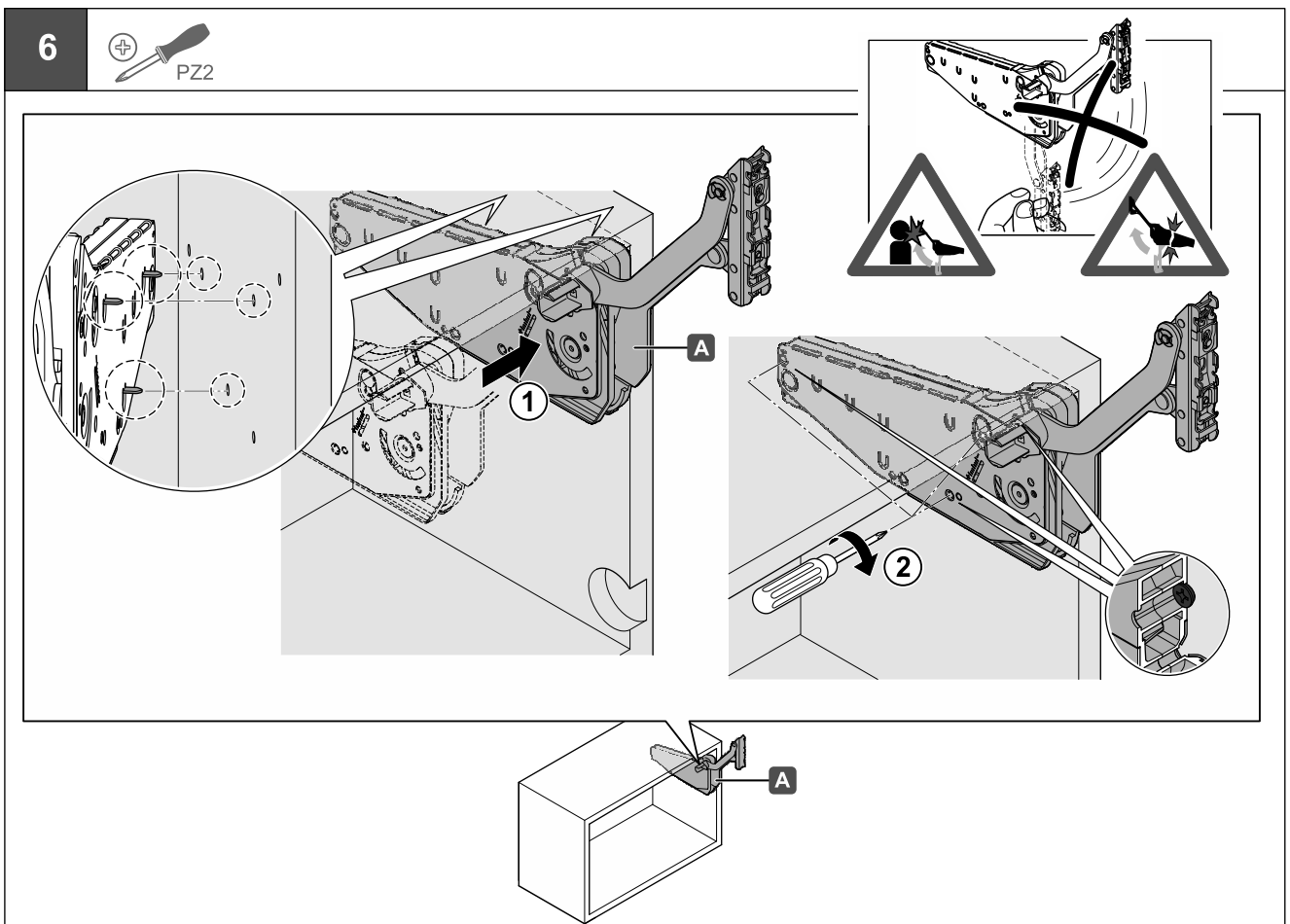
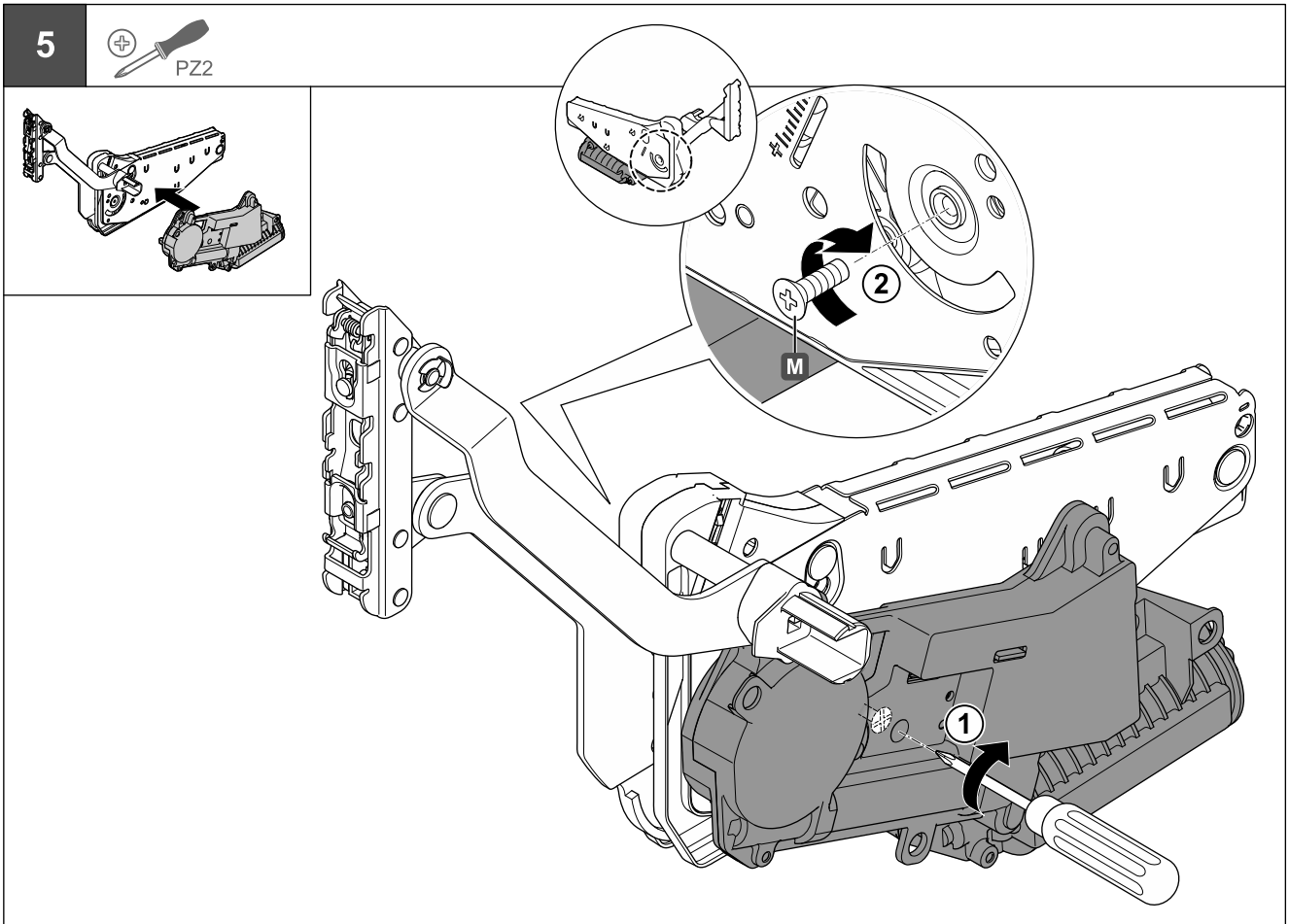
3

KH	Part Number
320 - 360	372.33.090
345 - 420	372.33.091
380 - 500	372.33.092
430 - 600	372.33.093

4

732.23.018

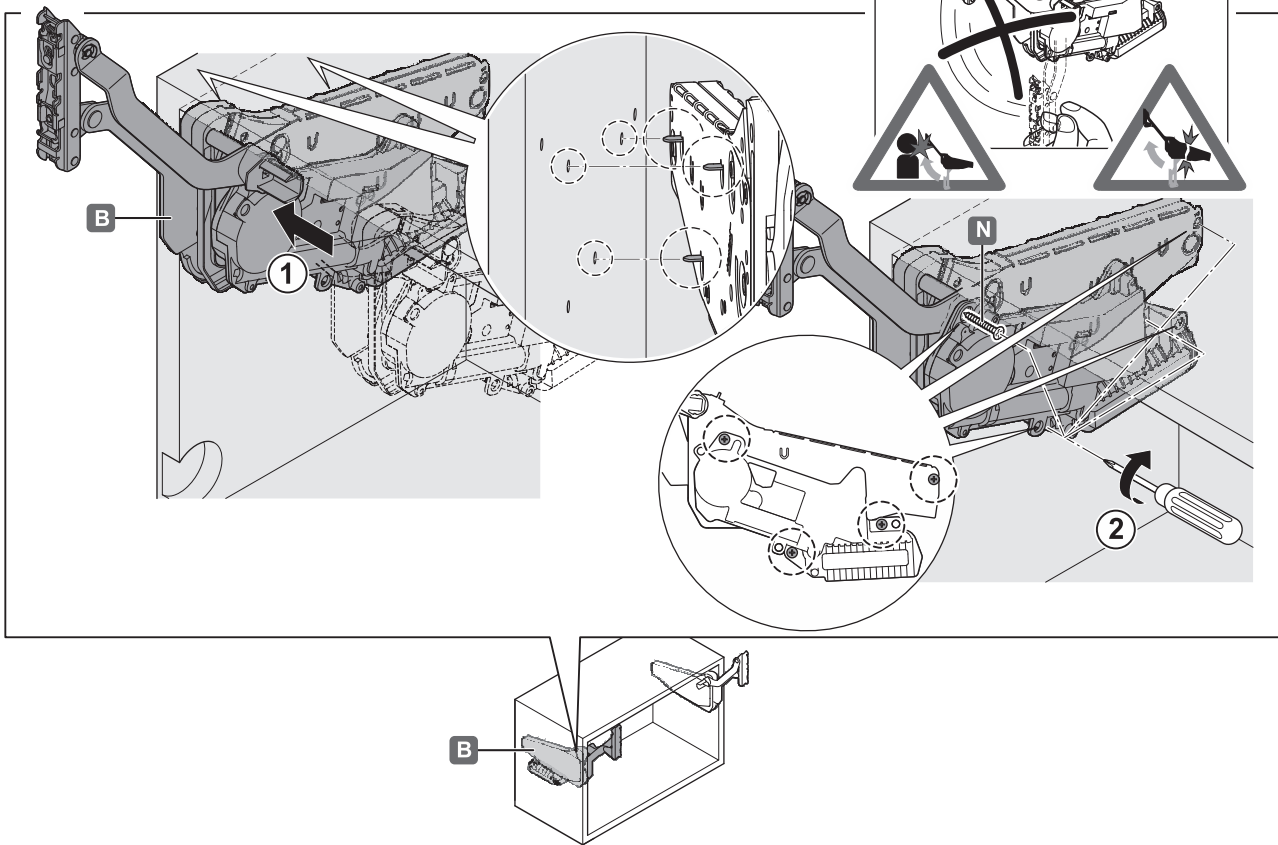
HDE 06/2016



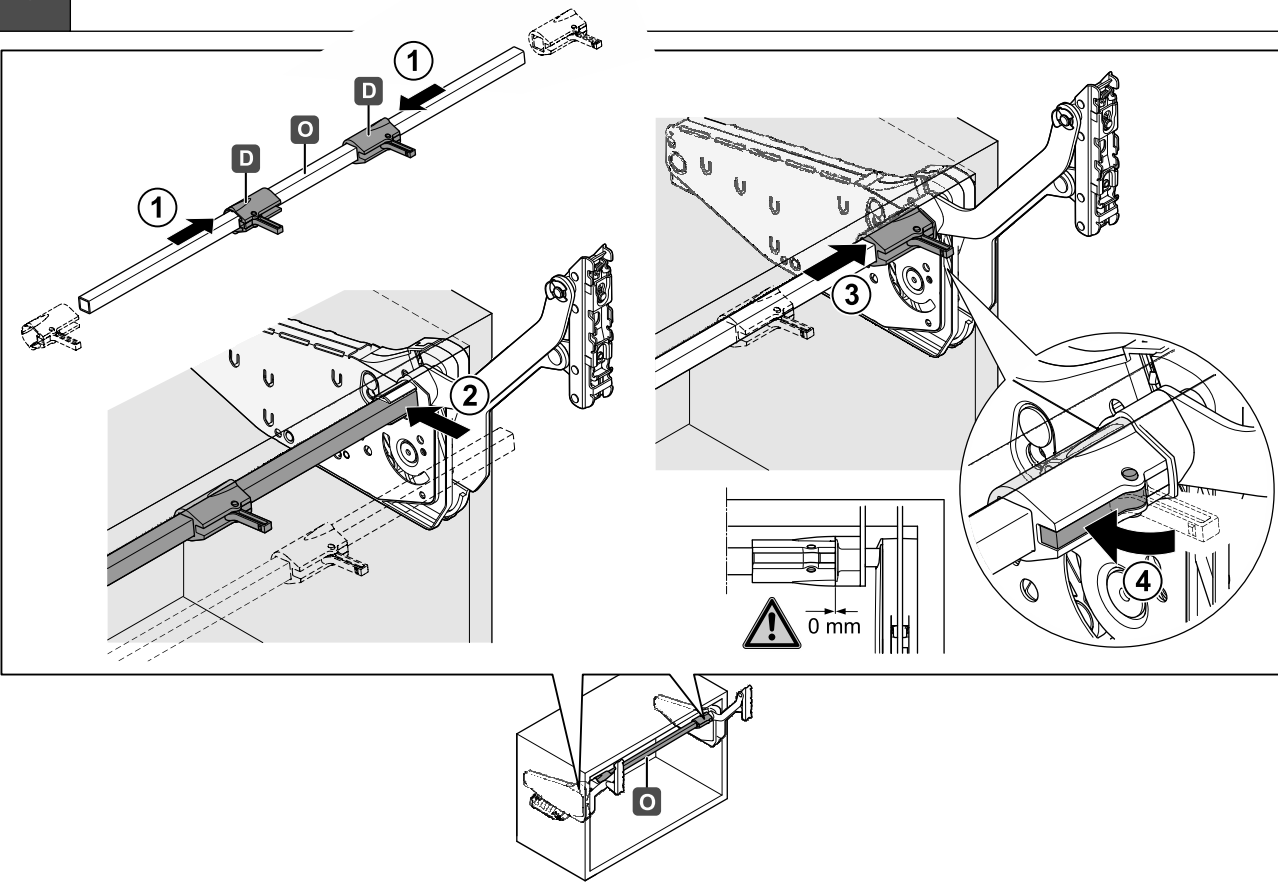
7



PZ2



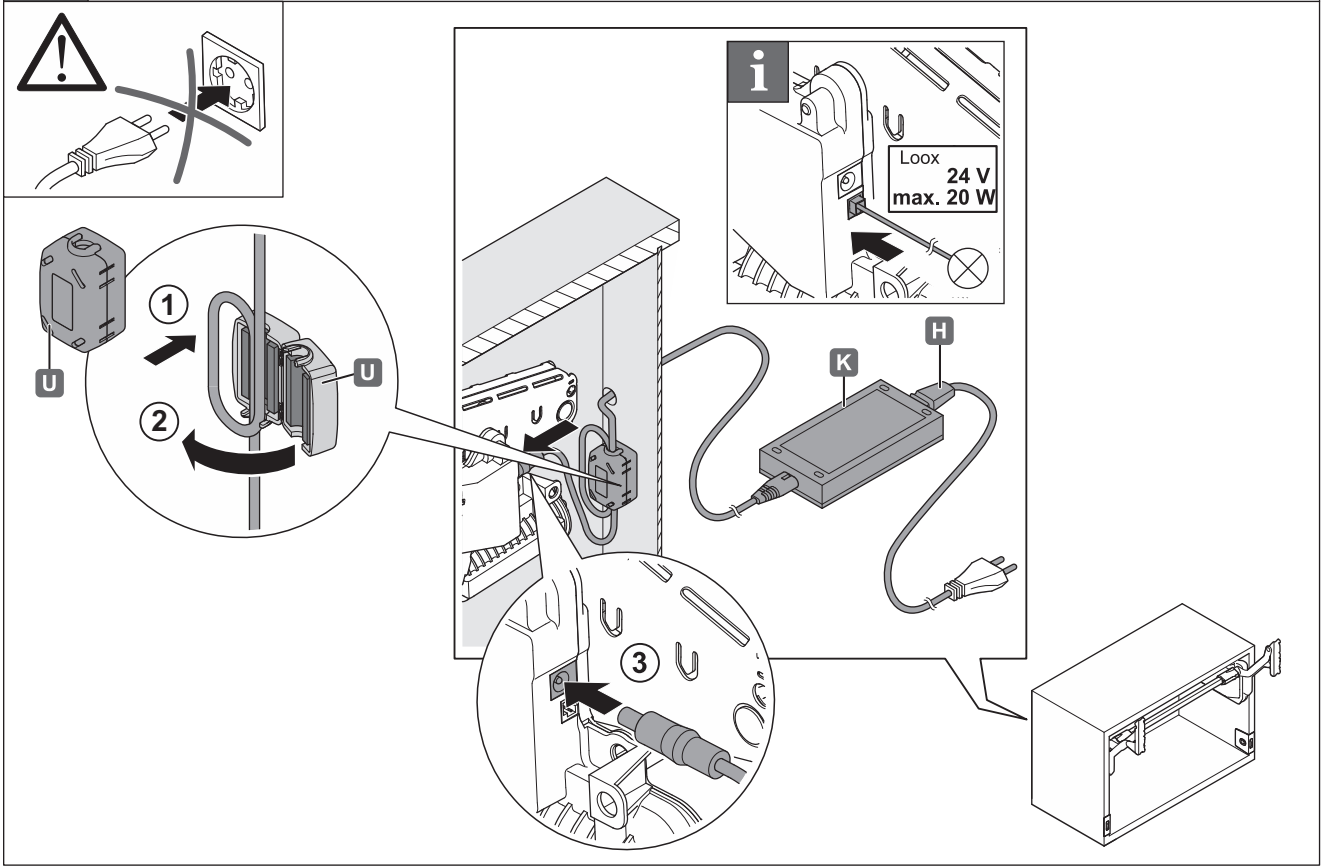
8



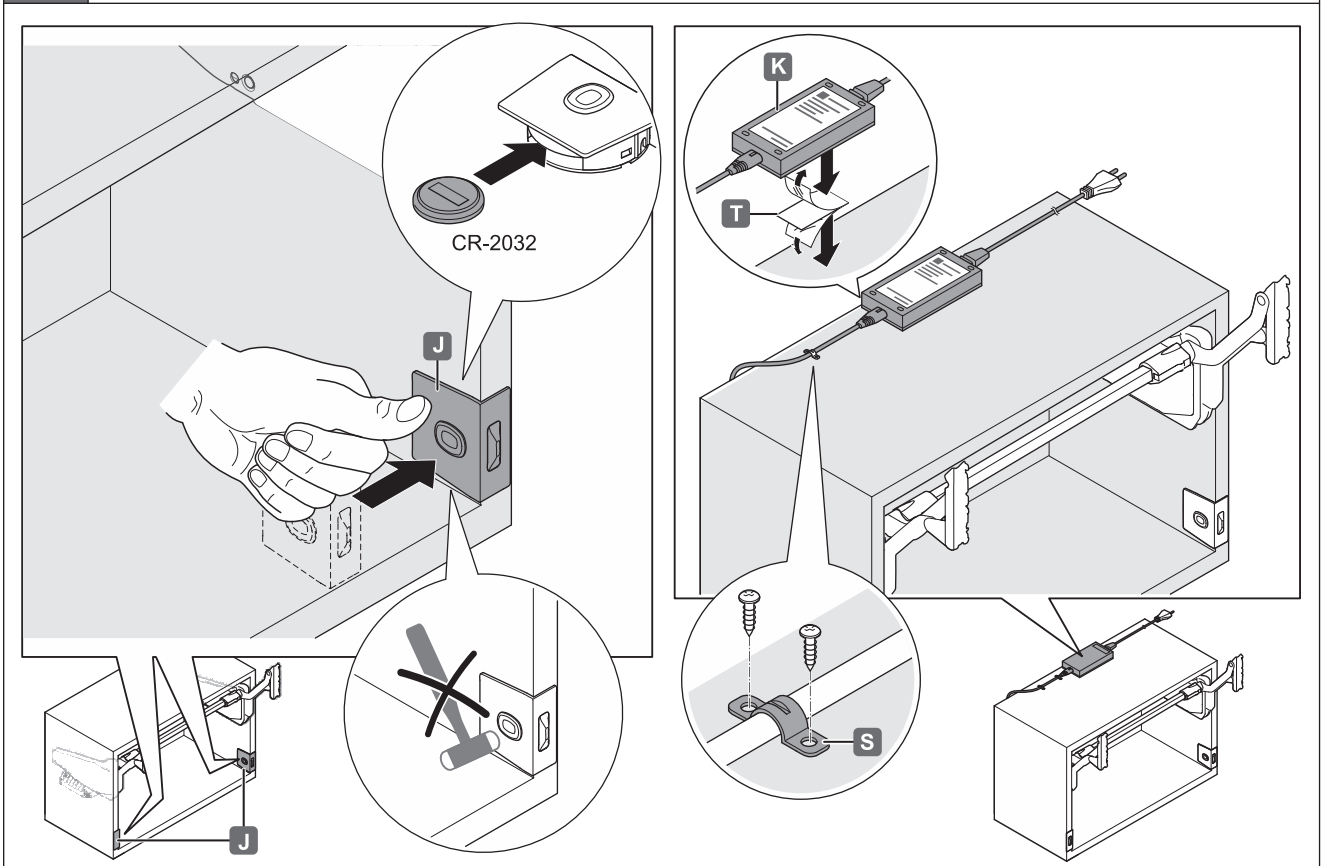
732.23.018

HDE 06/2016

9




10




732.23.018

HDE 06/2016


11



5 mm

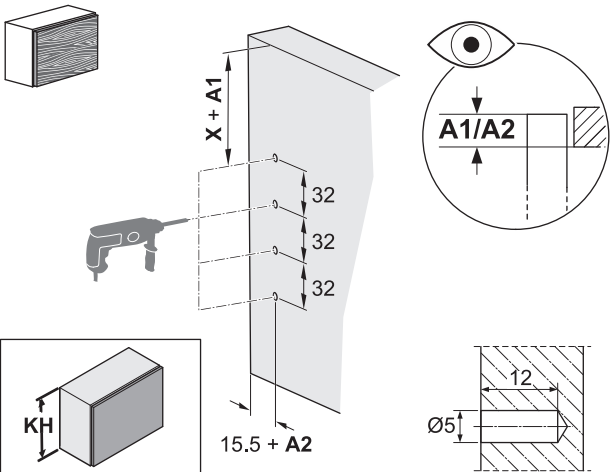


9 mm



5 mm

mm



$X + A1$

32

32

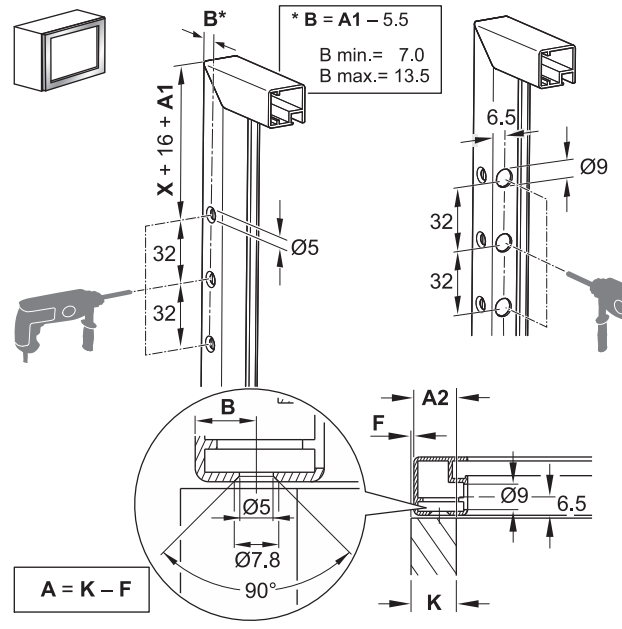
32

15.5 + A2

Ø5

12

$A1/A2$



B^*

$X + 16 + A1$

32

32

32

Ø5

6.5

Ø9

32

32

B

F

$A2$

K

Ø5

Ø7.8

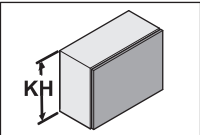
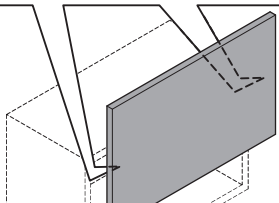
90°

$A = K - F$


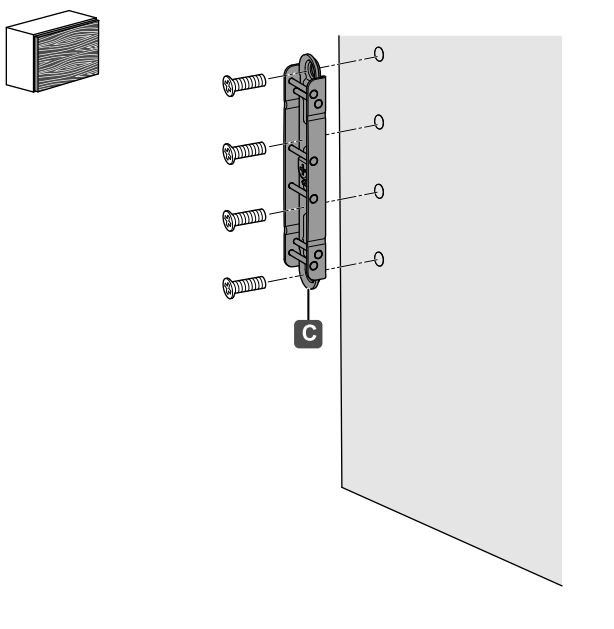
$B \min. = 7.0$
 $B \max. = 13.5$

$* B = A1 - 5.5$

KH	X
320 - 360	157
345 - 420	185
380 - 500	220
430 - 600	265

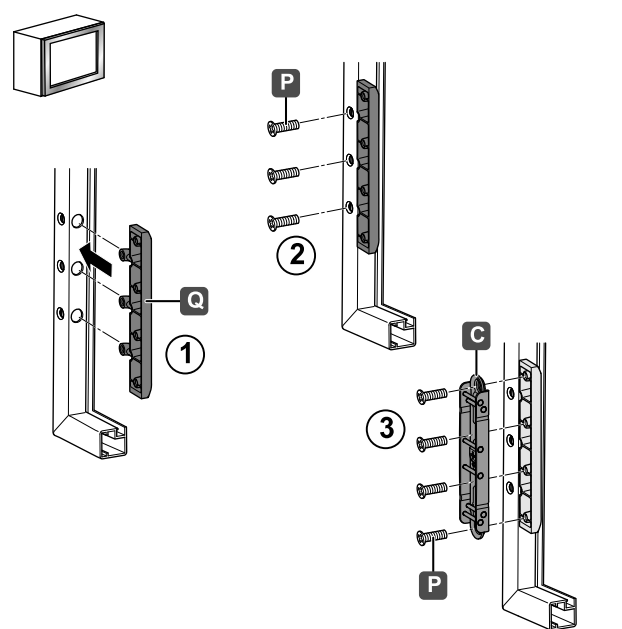



12

C

P



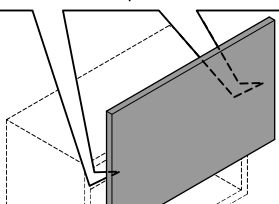
1

2

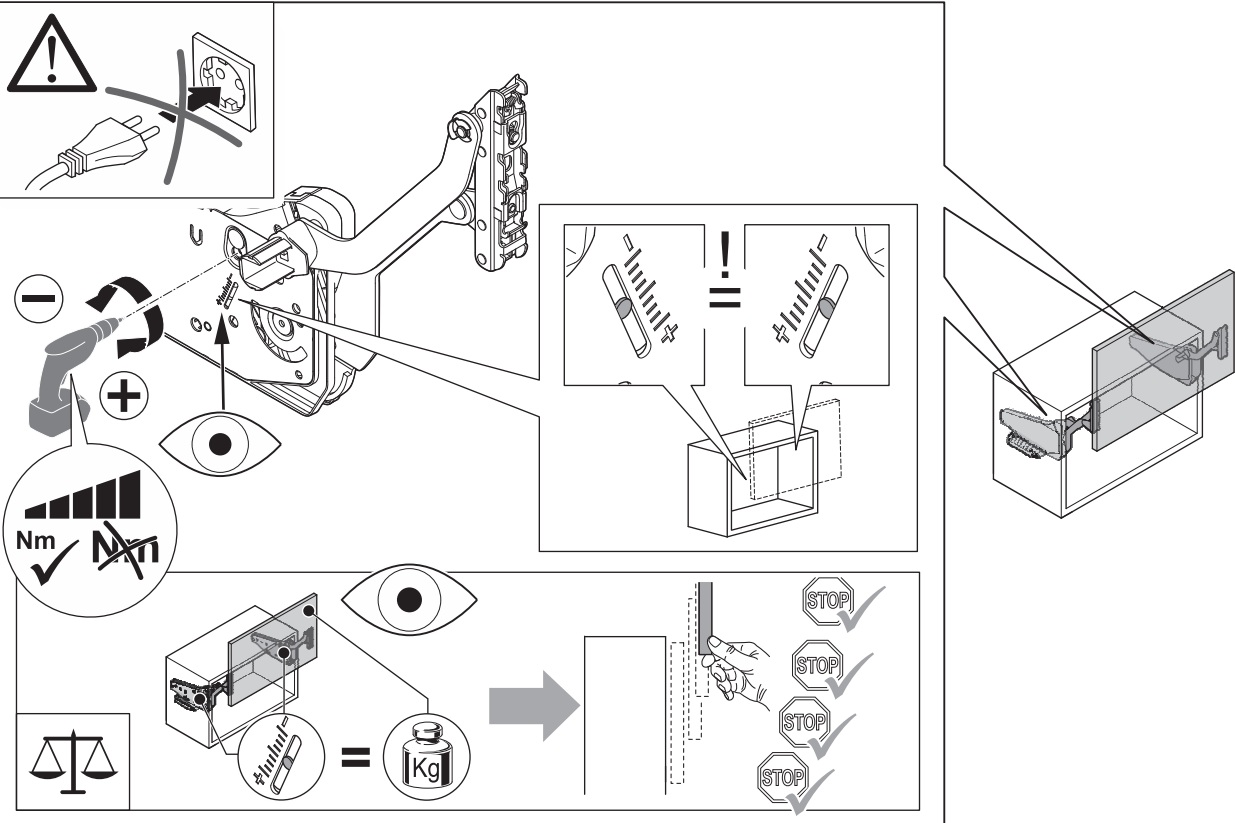
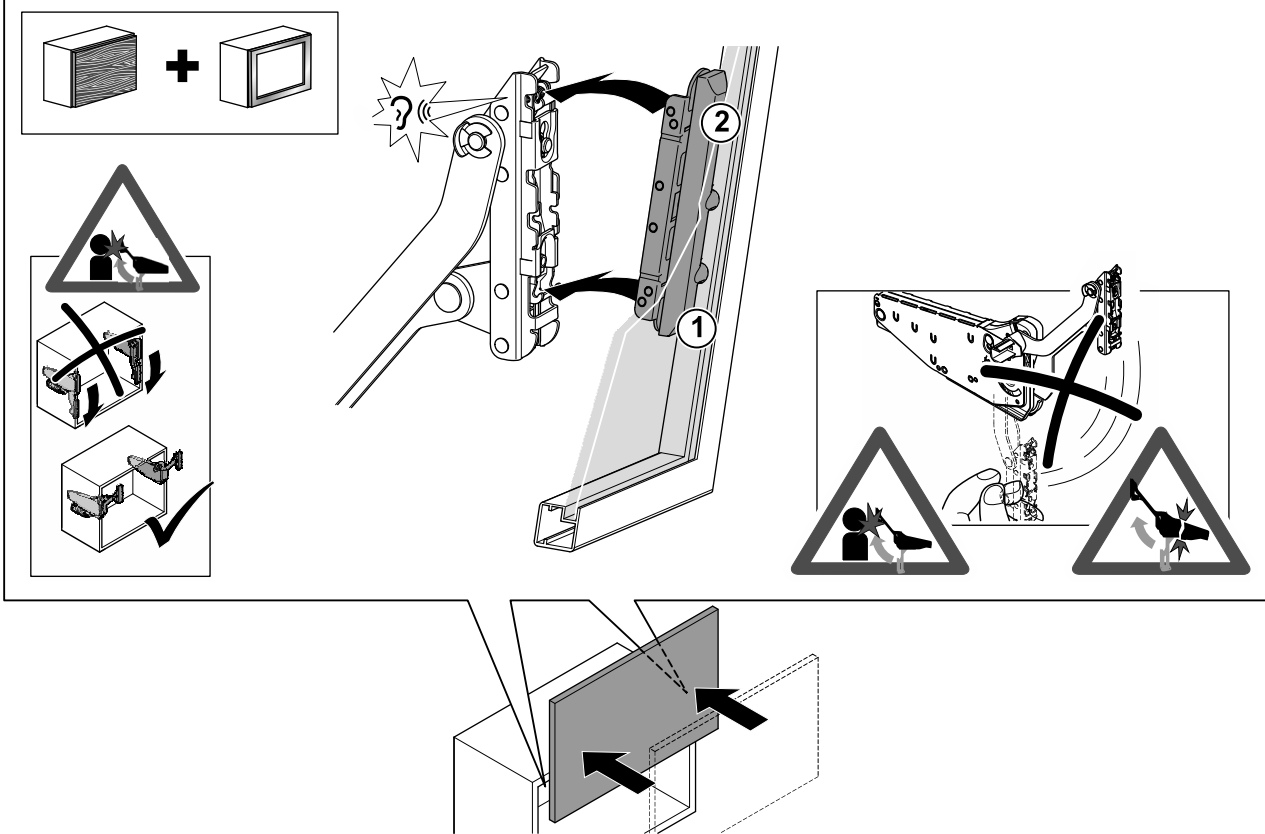
3

C

P

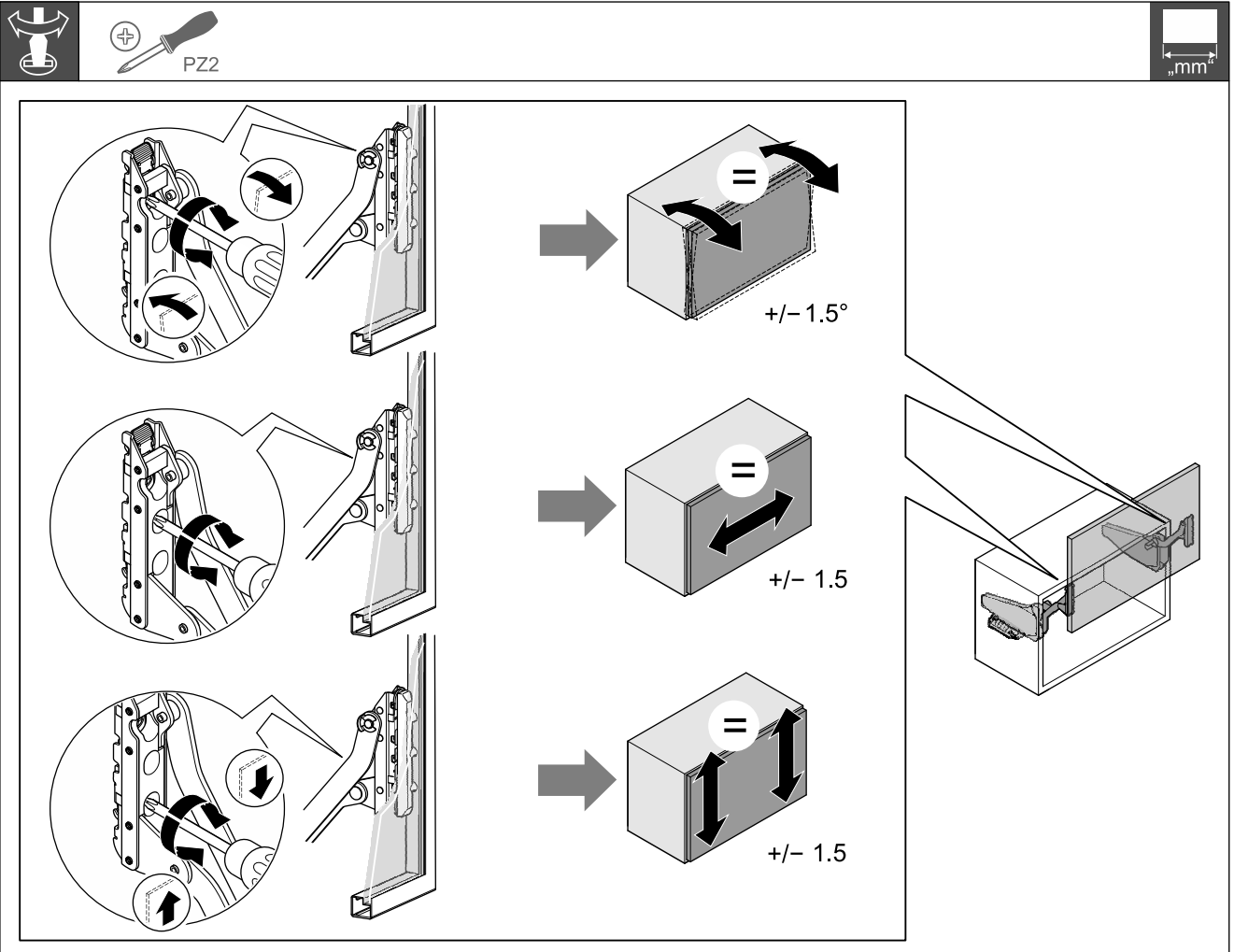


13



732.23.018

HDE 06/2016

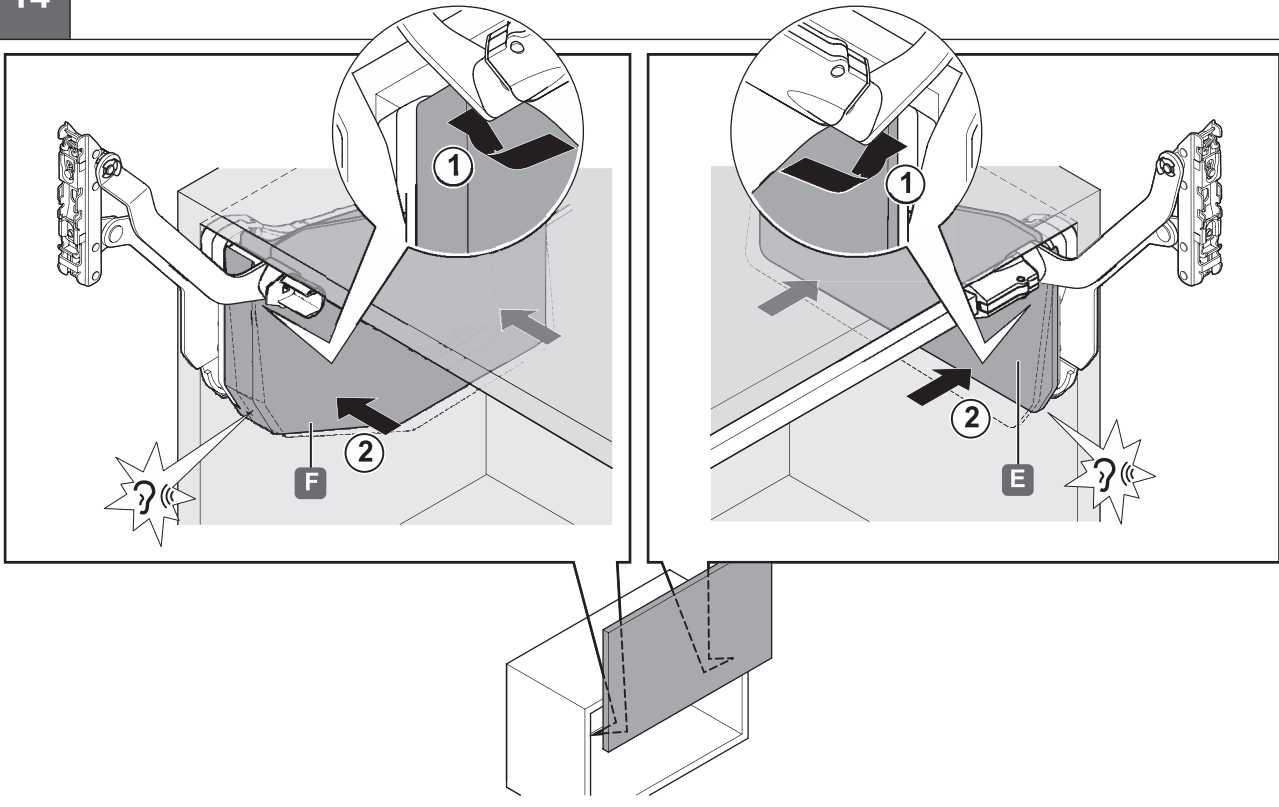


732.23.018

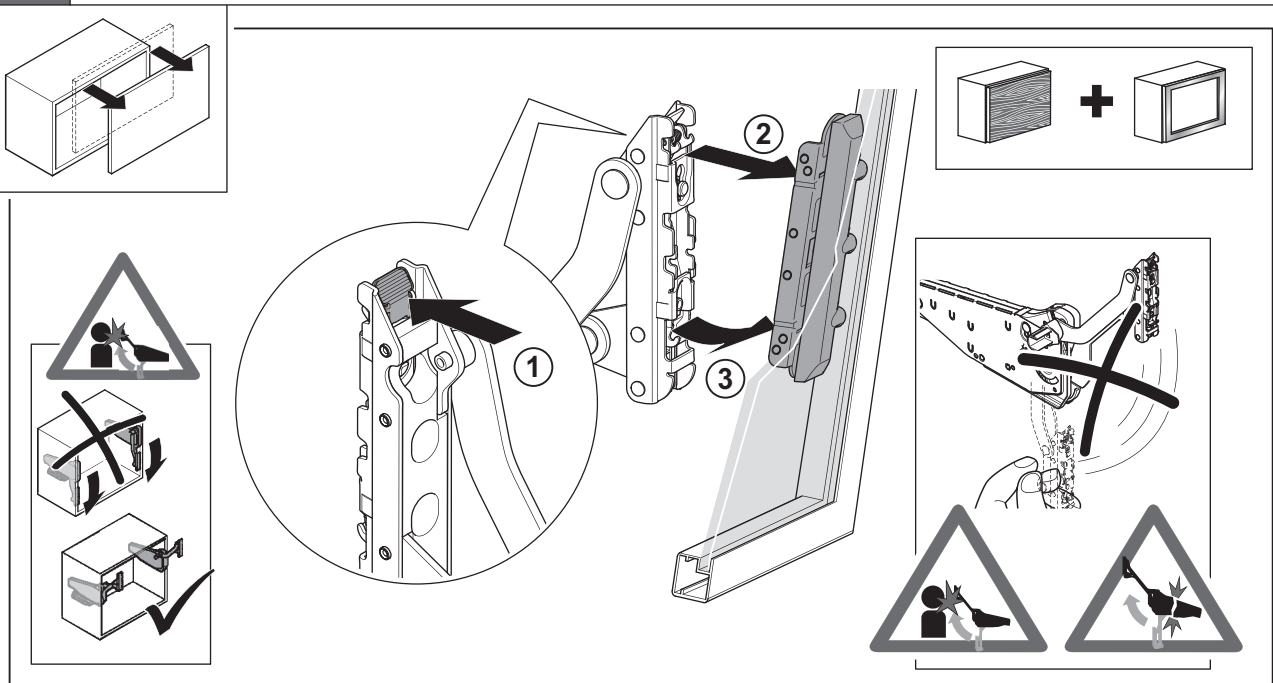


HDE 06/2016

14



i



732.23.018

HDE 06/2016